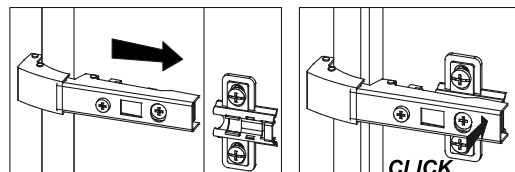
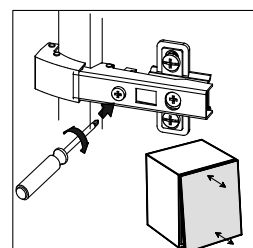
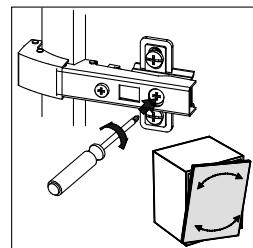
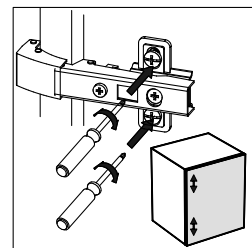
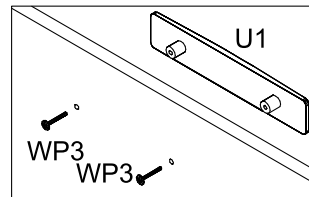
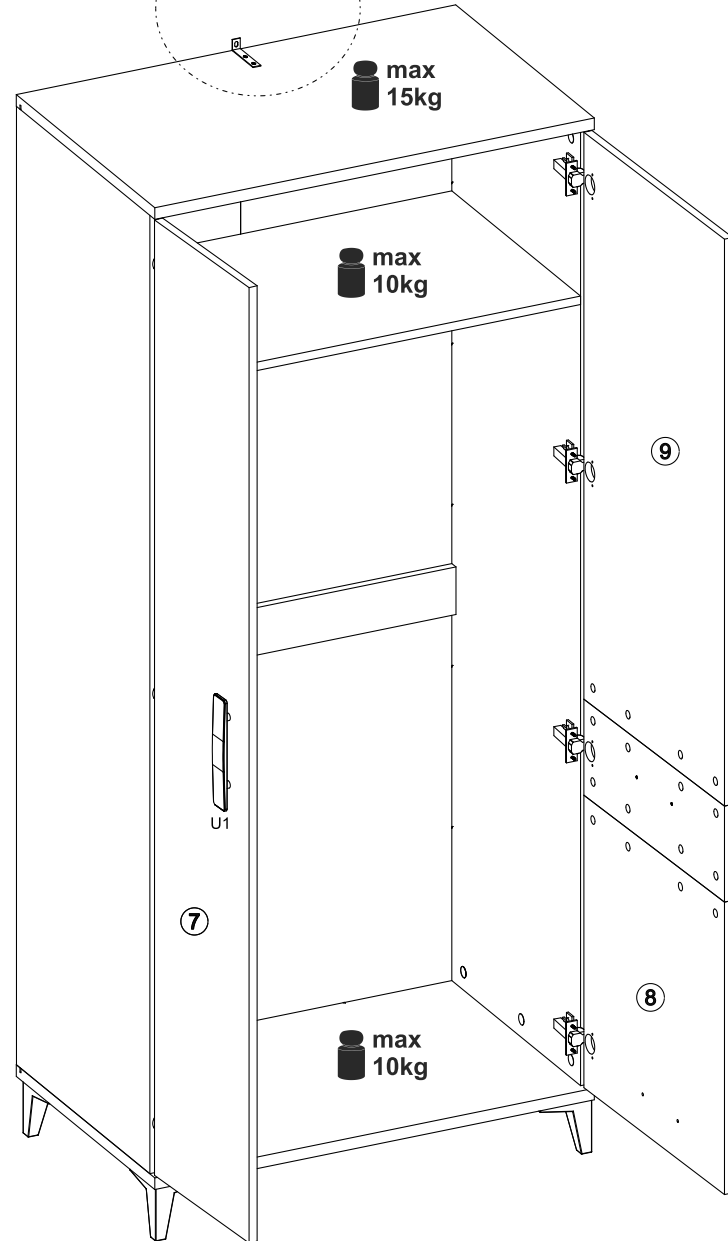
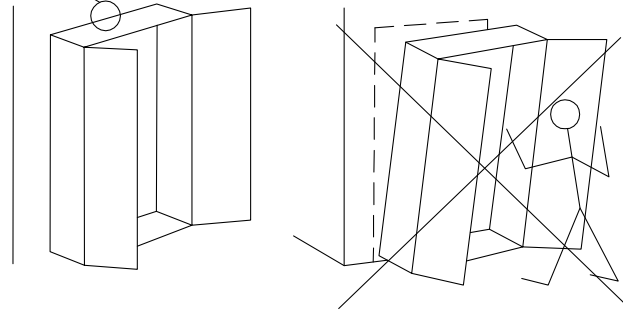
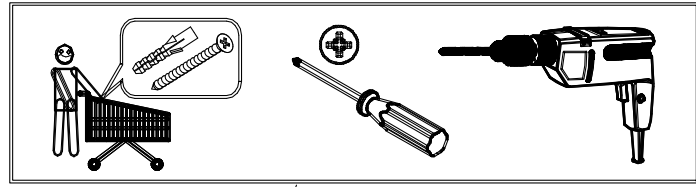
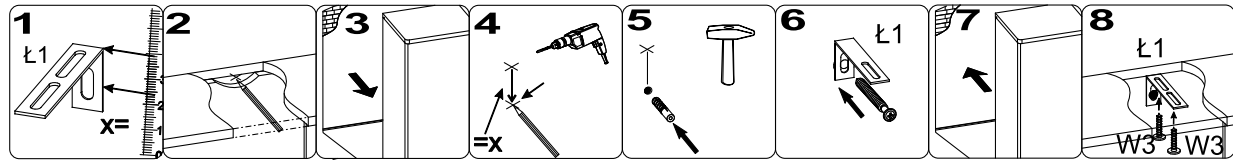
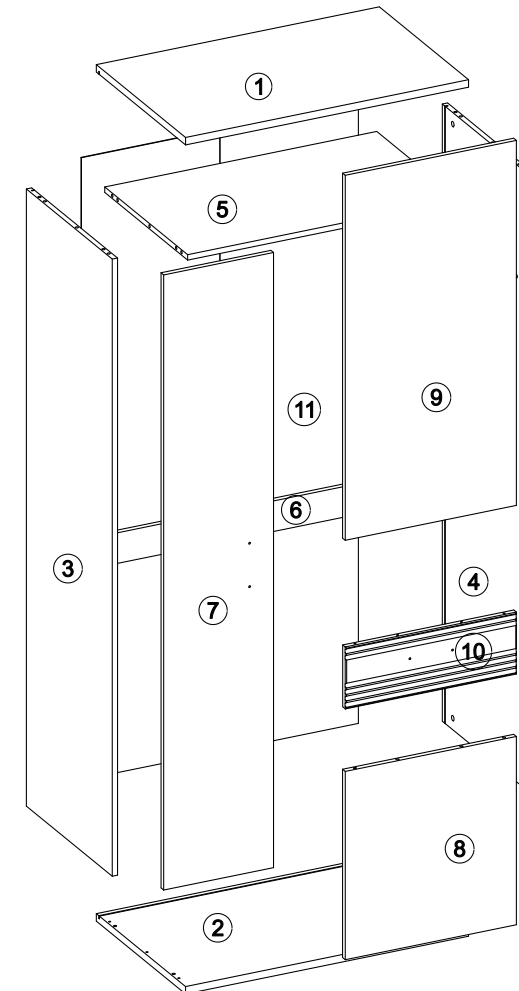
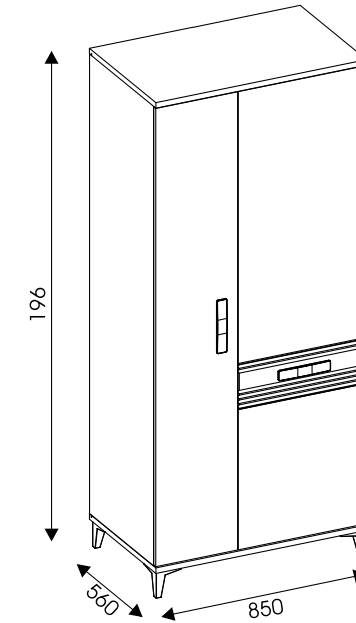
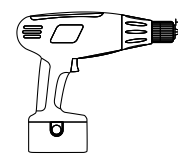
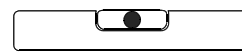
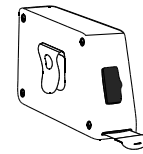
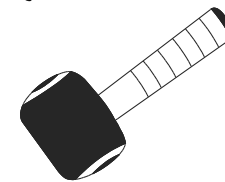
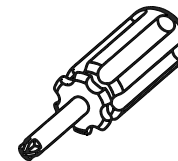
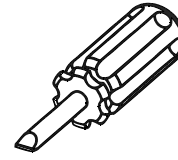
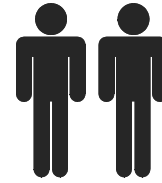
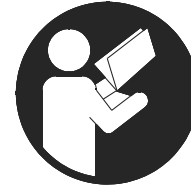


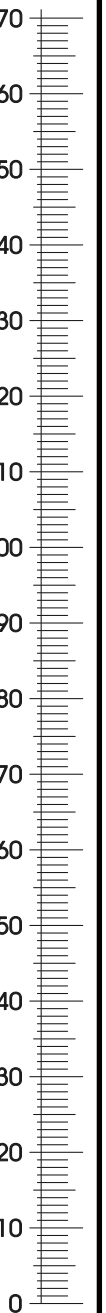
9 ▶



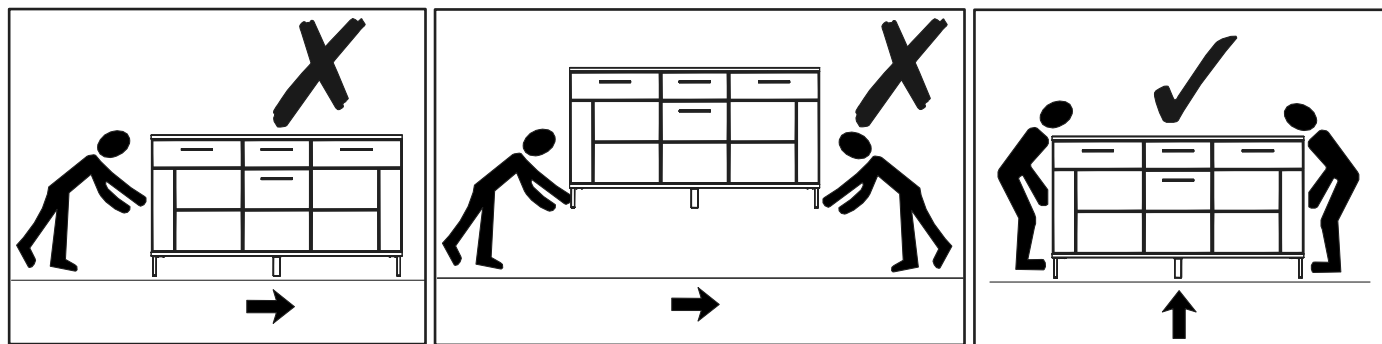
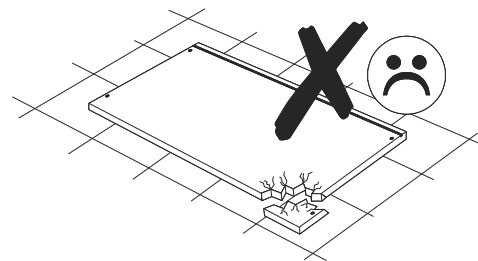
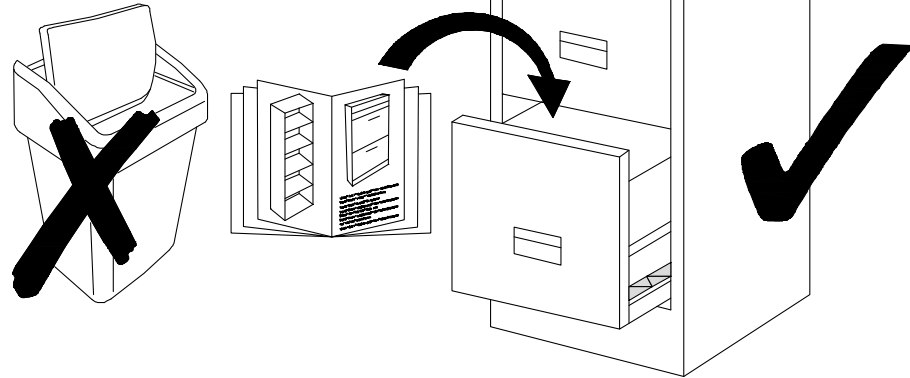
MODELL: SB11



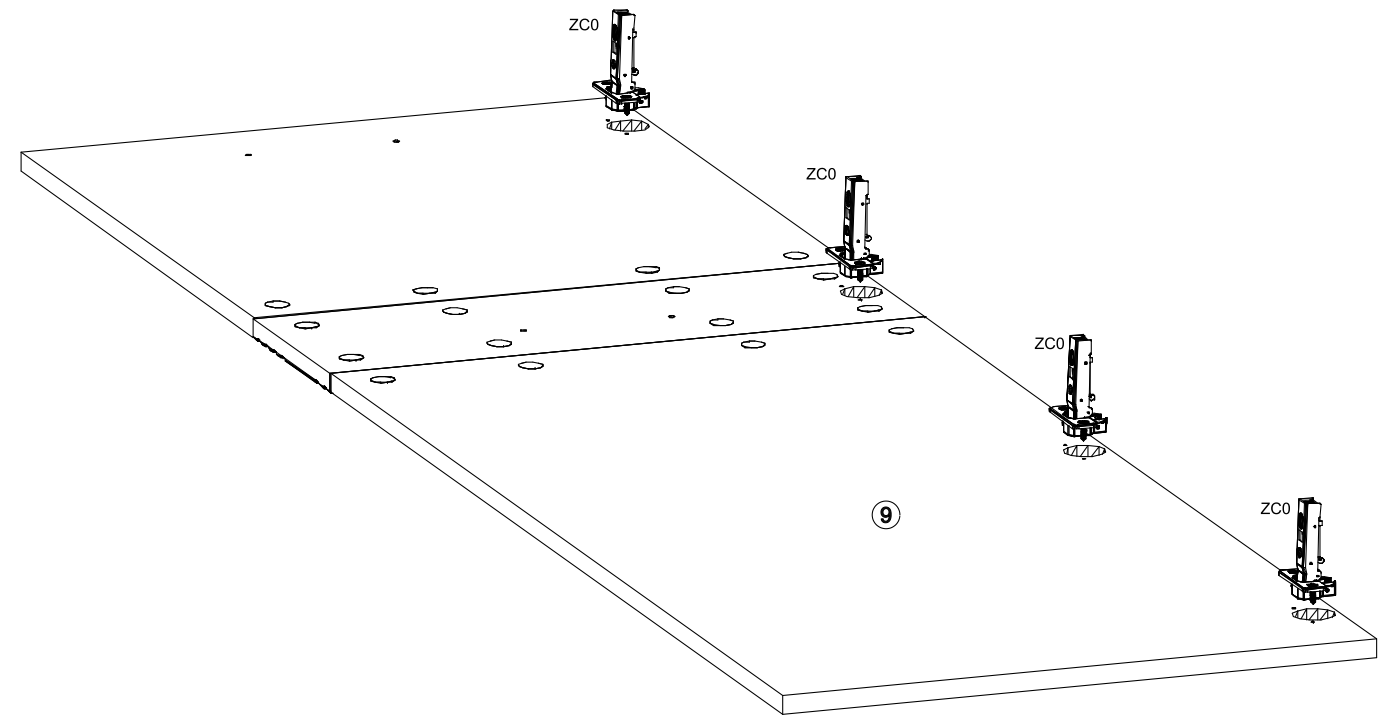
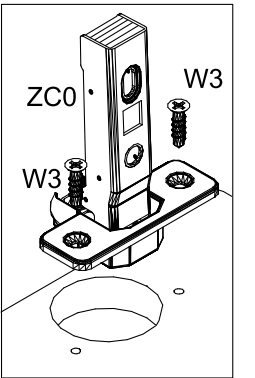
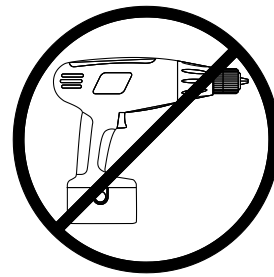
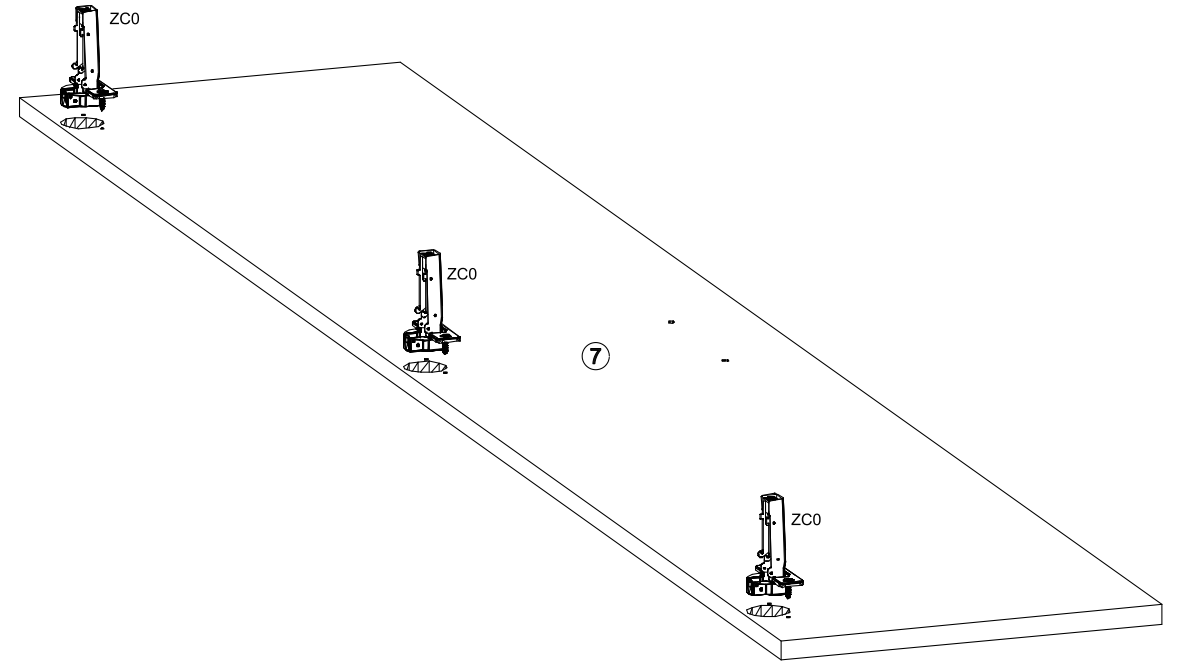
11	1831x832	
10	514x182	
9	514x1074	
8	514x554	
7	1810x330	
6	817x90	
5	817x498	
4	1816x516	
3	1816x516	
2	850x536	
1	850x536	



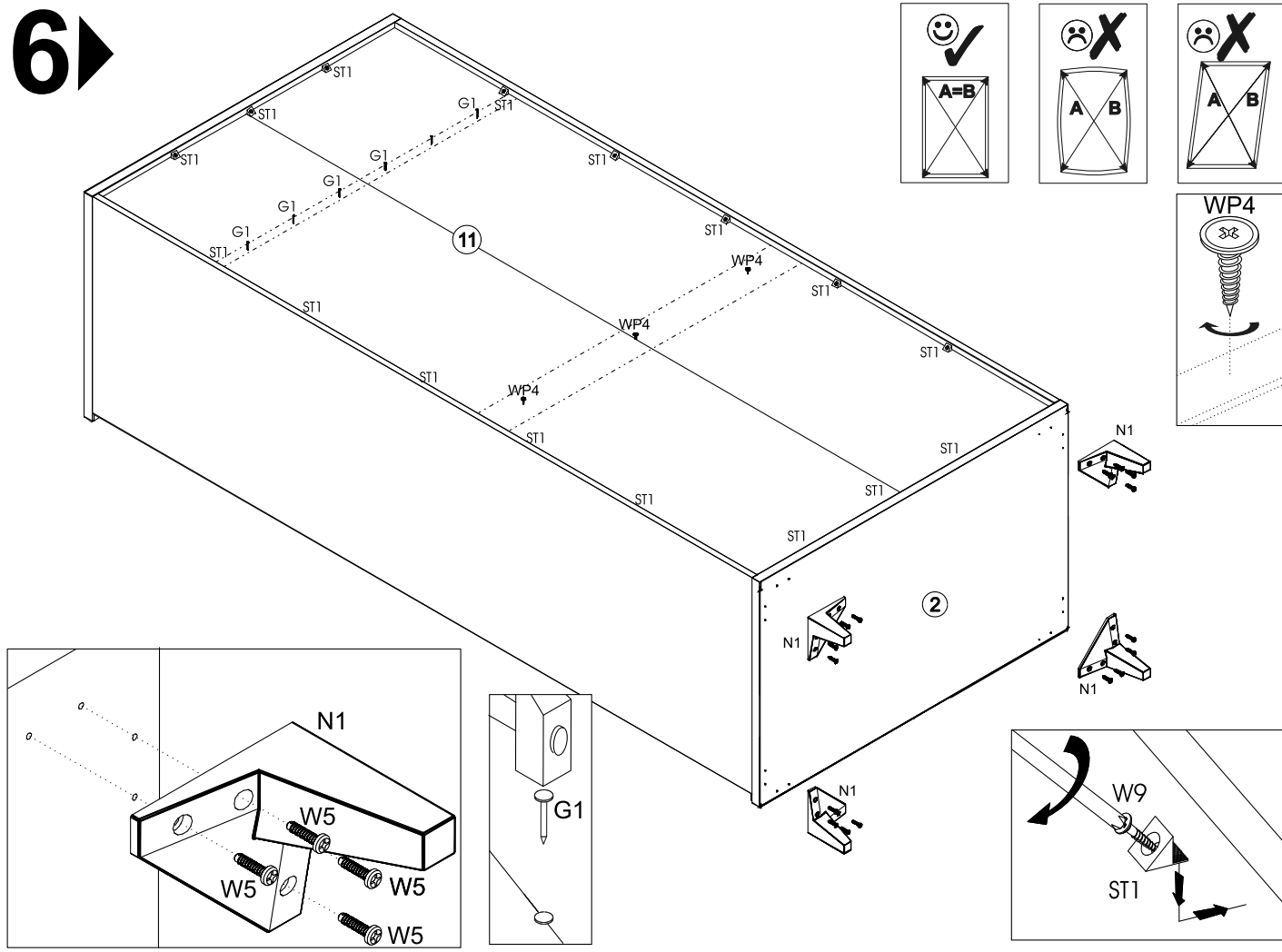
7x ZC0									
20x #20/863 ZN1	16x 3.5x16 W3	16x ST1	3x 4x13 WP4	16x #20/320 ZN2	16x 3x20 W9	7x H=0 PRO	4x 4x27 WP3	4x N1	
16x 5x20 W5	14x 8x30 K1	2x U 1	2x WS1	36 #15/15 M1	20x DU232T T1	8x #56 T3	6x 2x20 G1	1x L1	



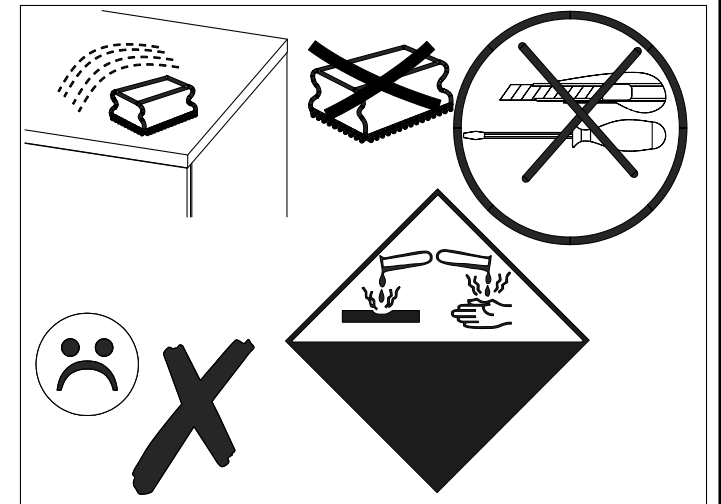
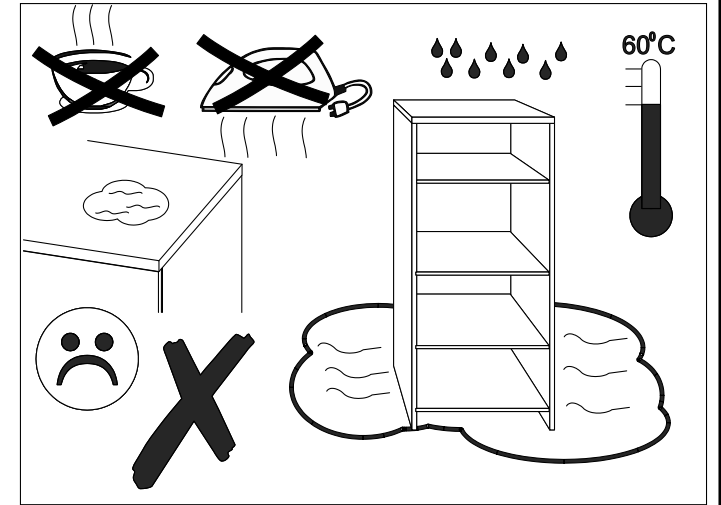
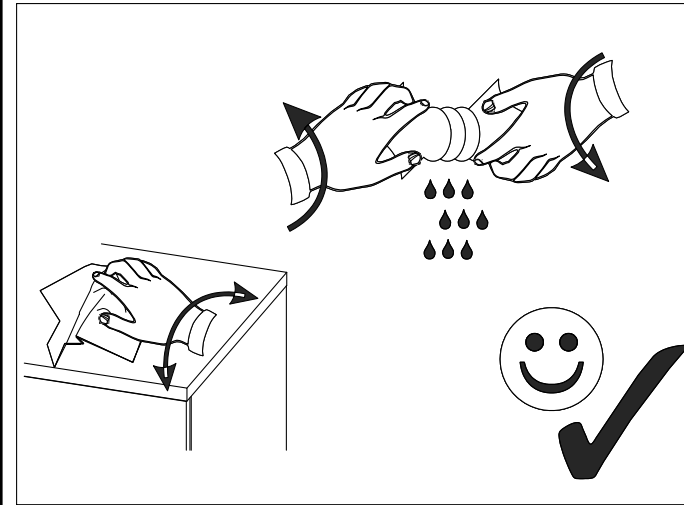
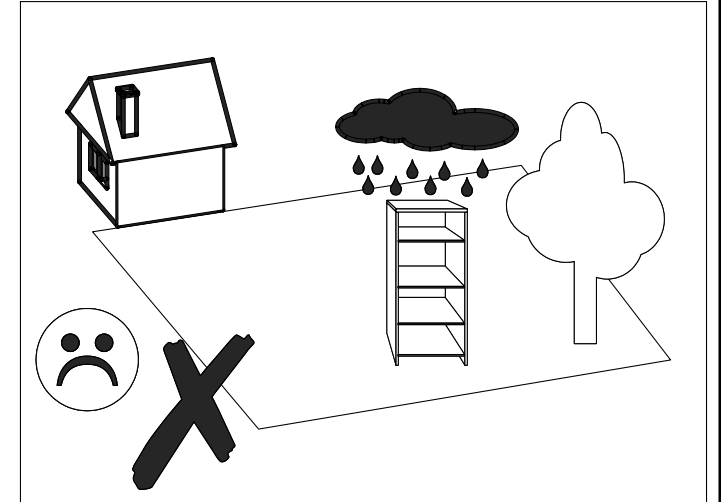
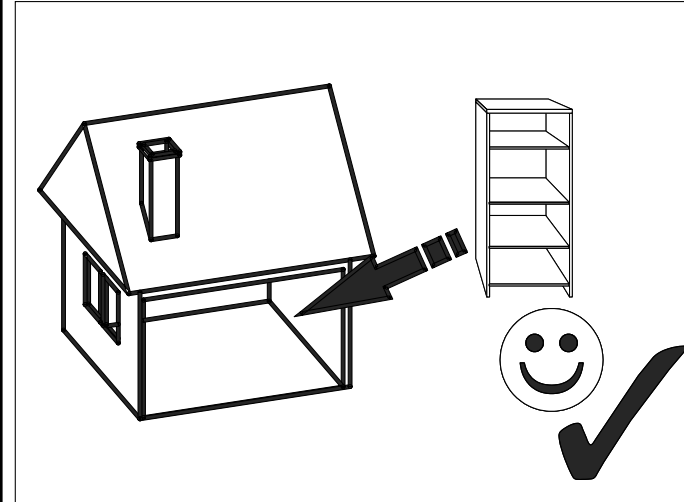
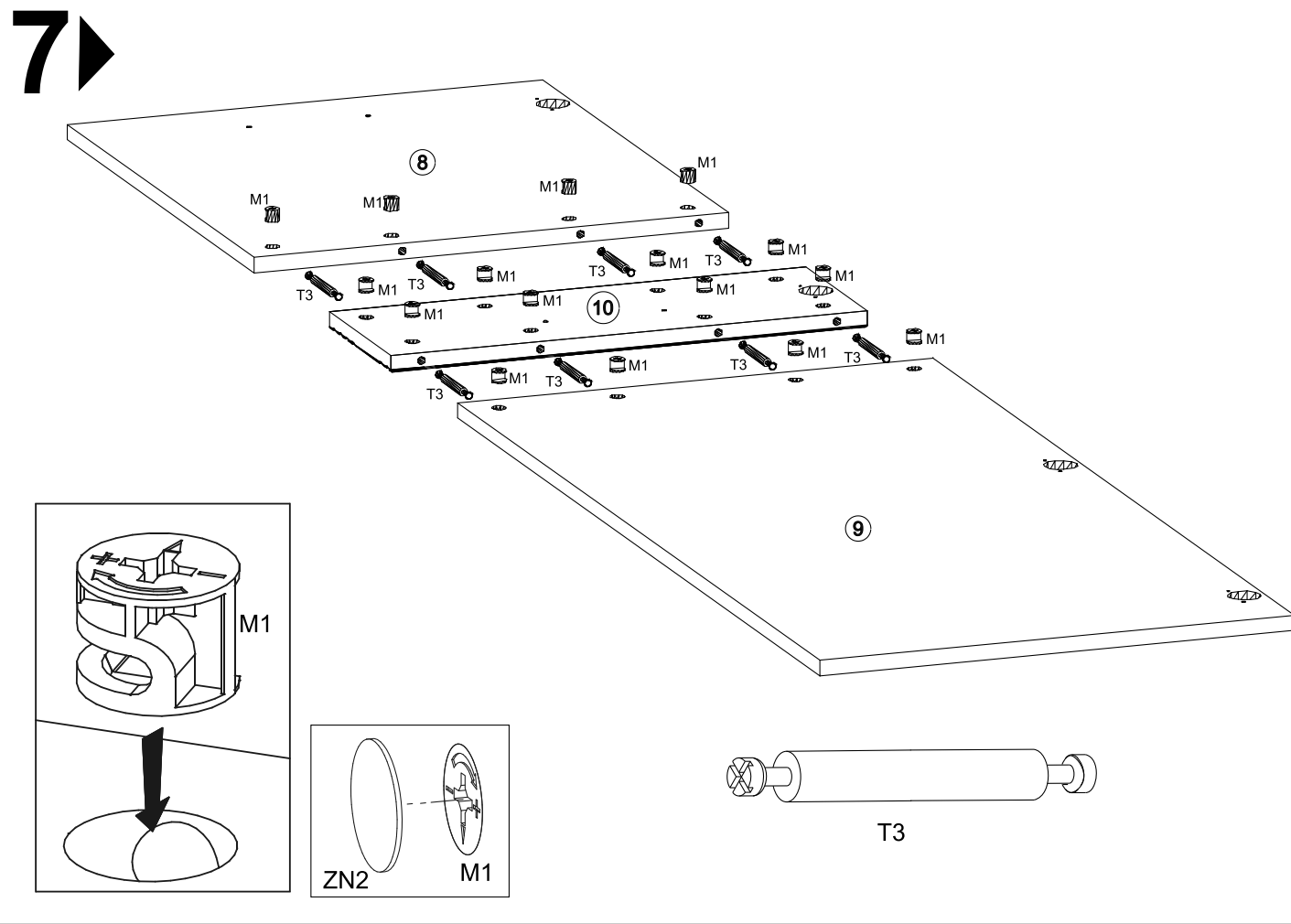
8 ▶



6

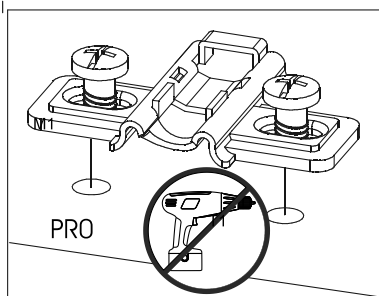
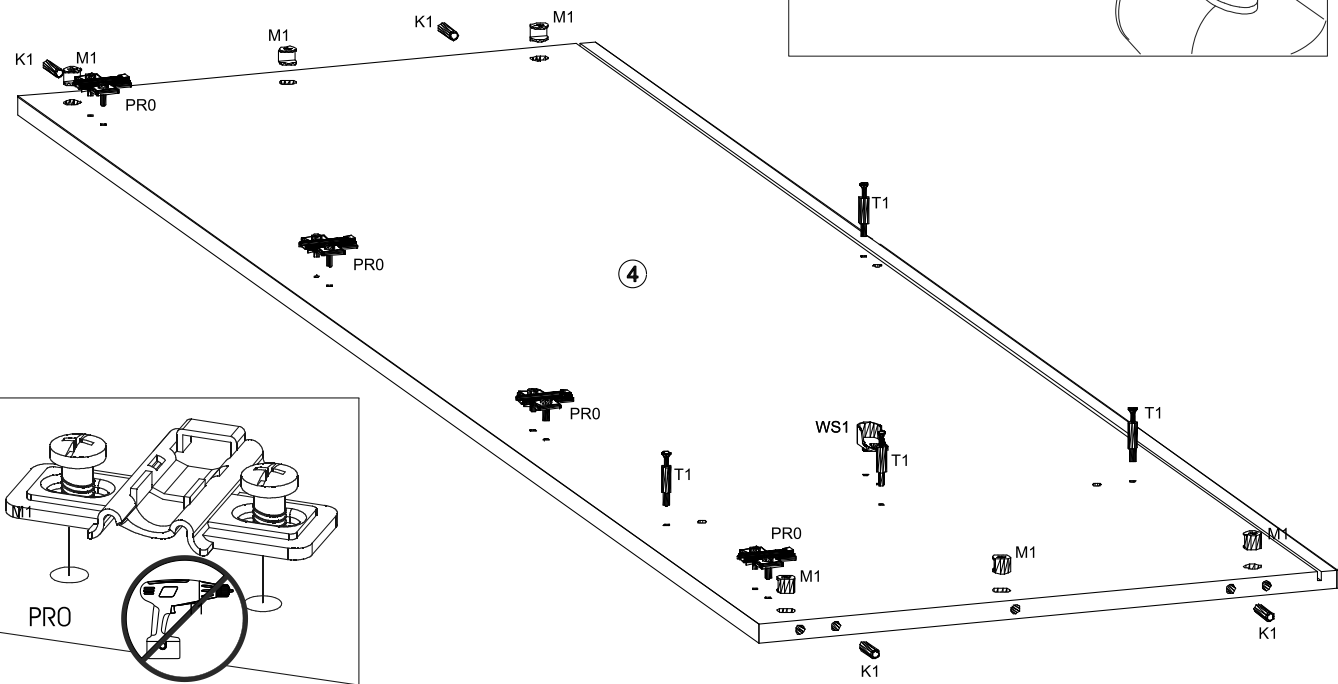
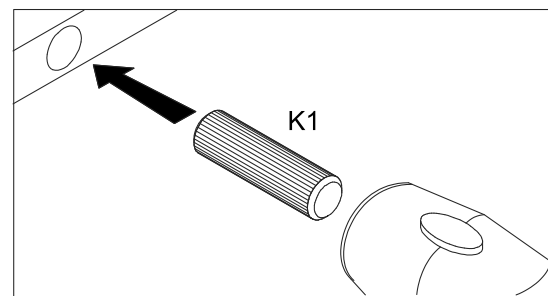
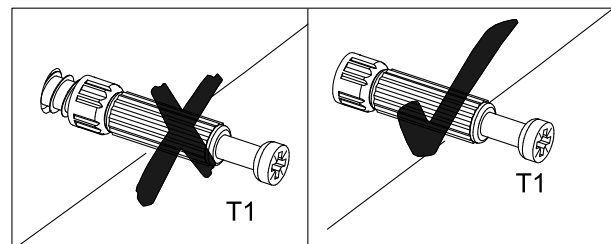
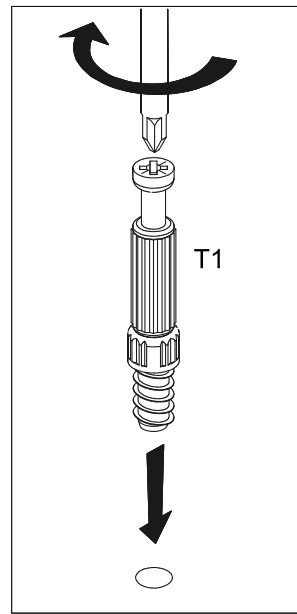
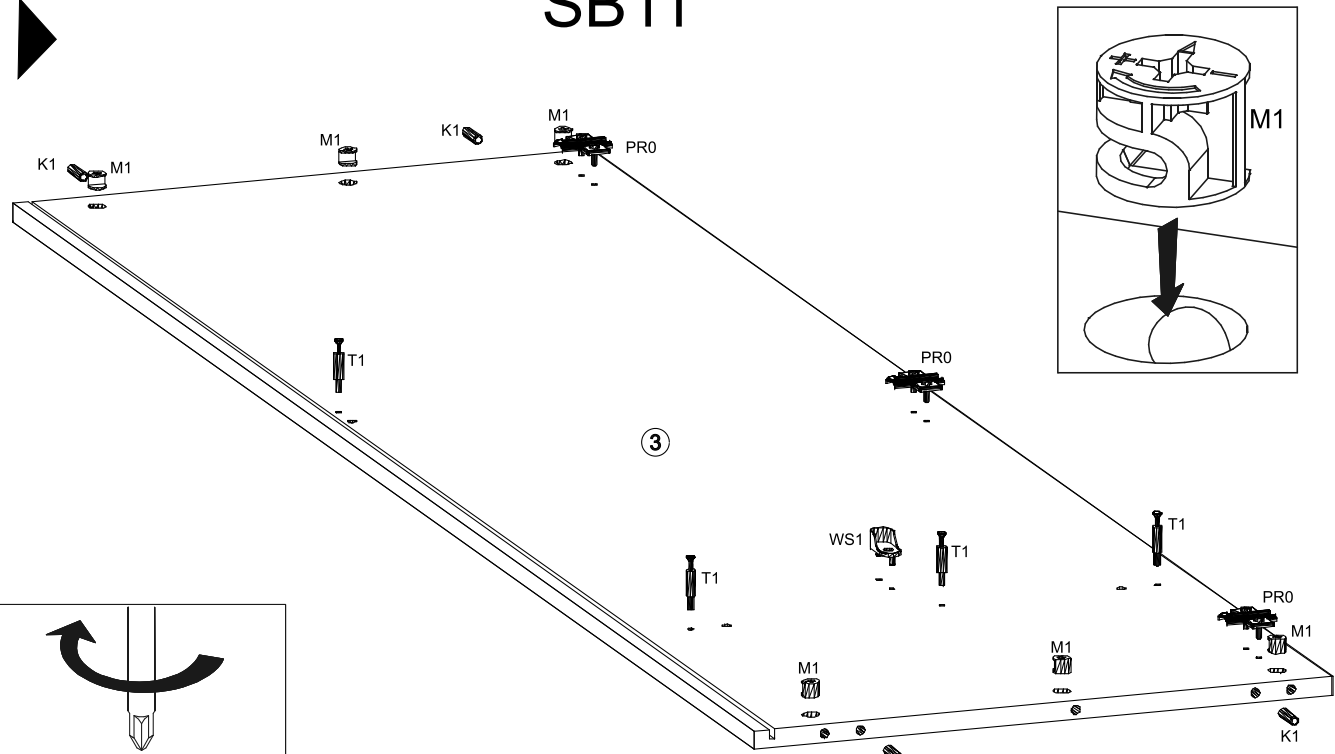


7

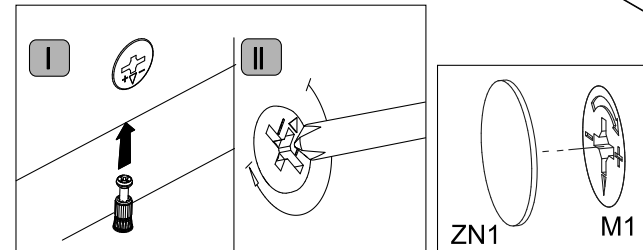
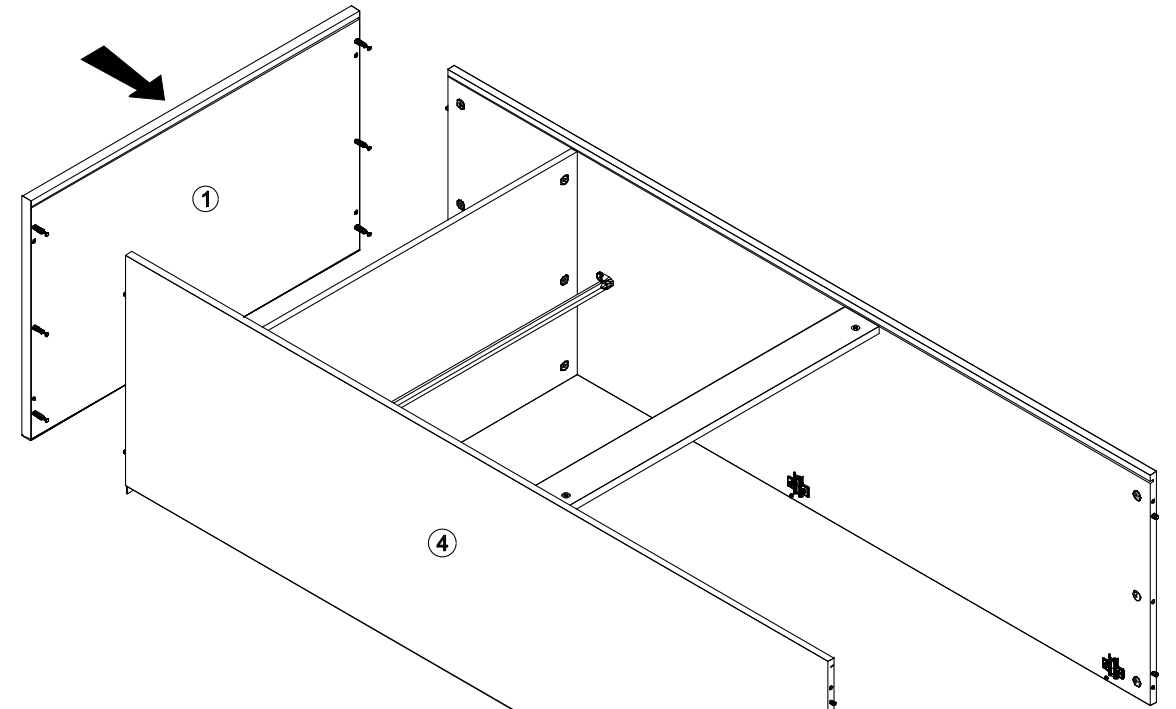


1▶

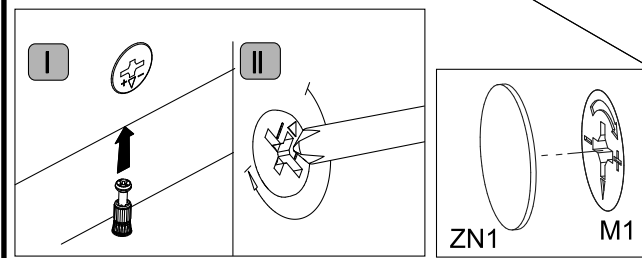
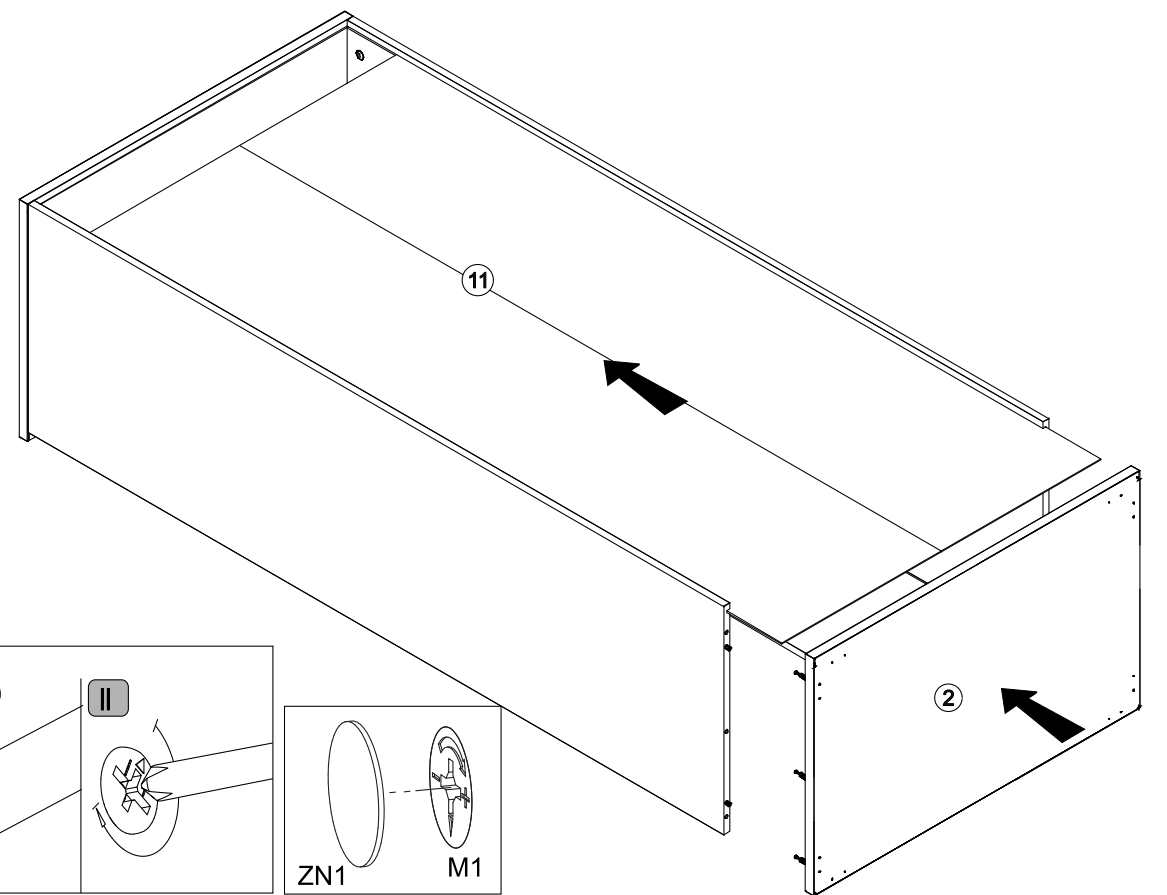
SB11



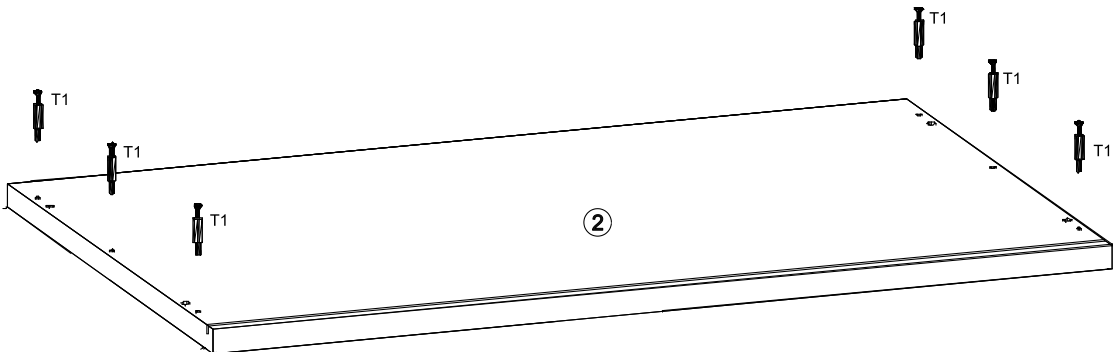
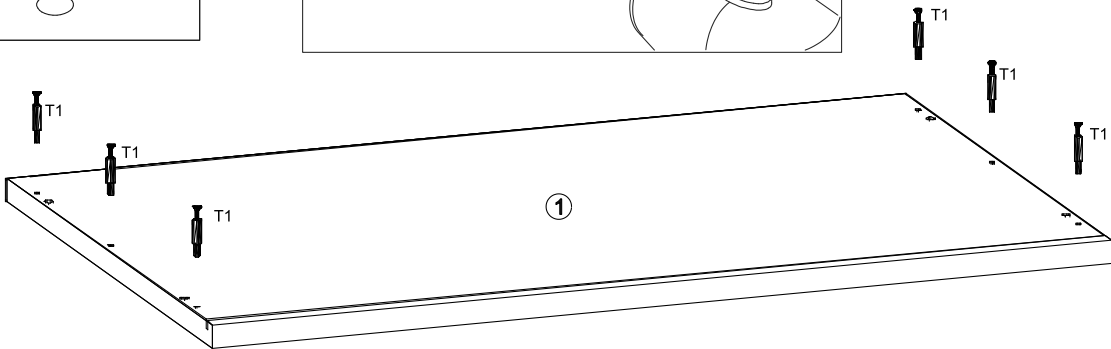
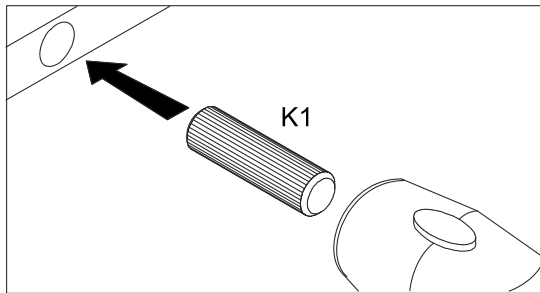
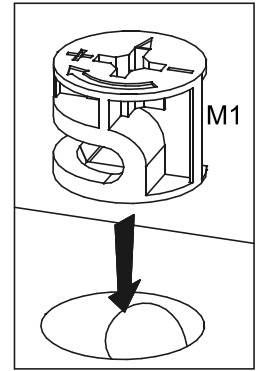
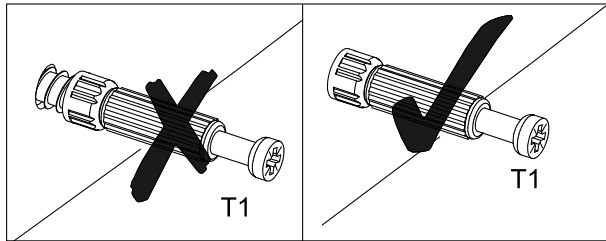
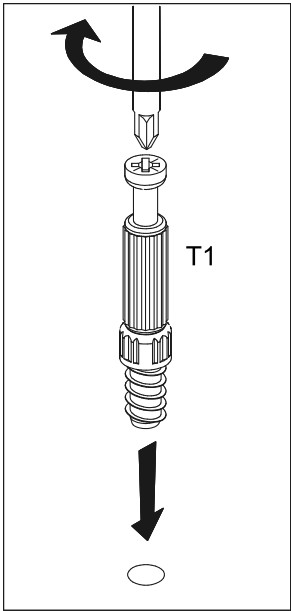
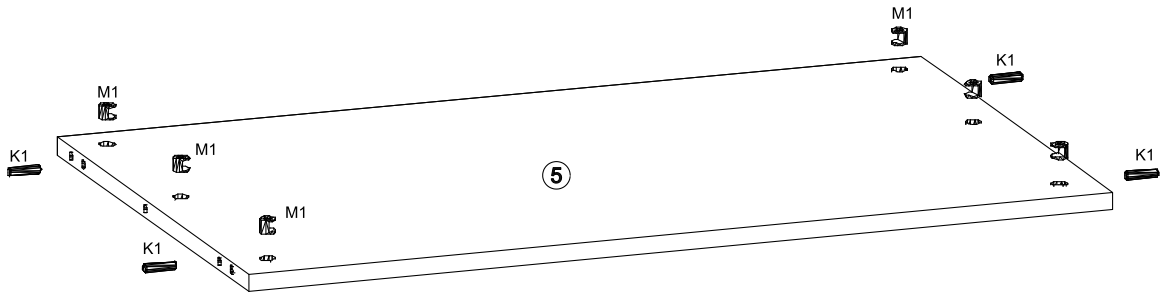
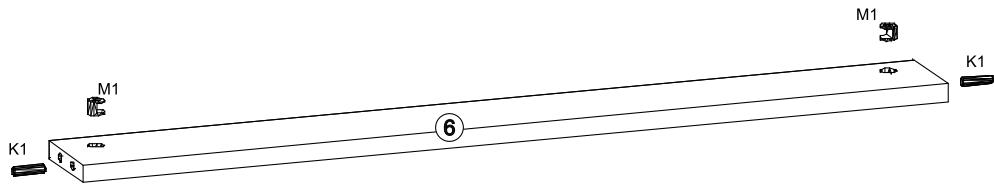
4▶



5▶



2



3 ▶

SB11

