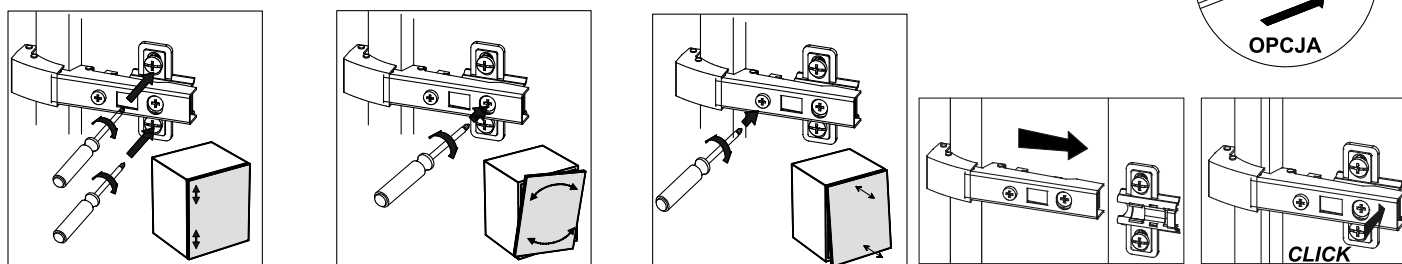
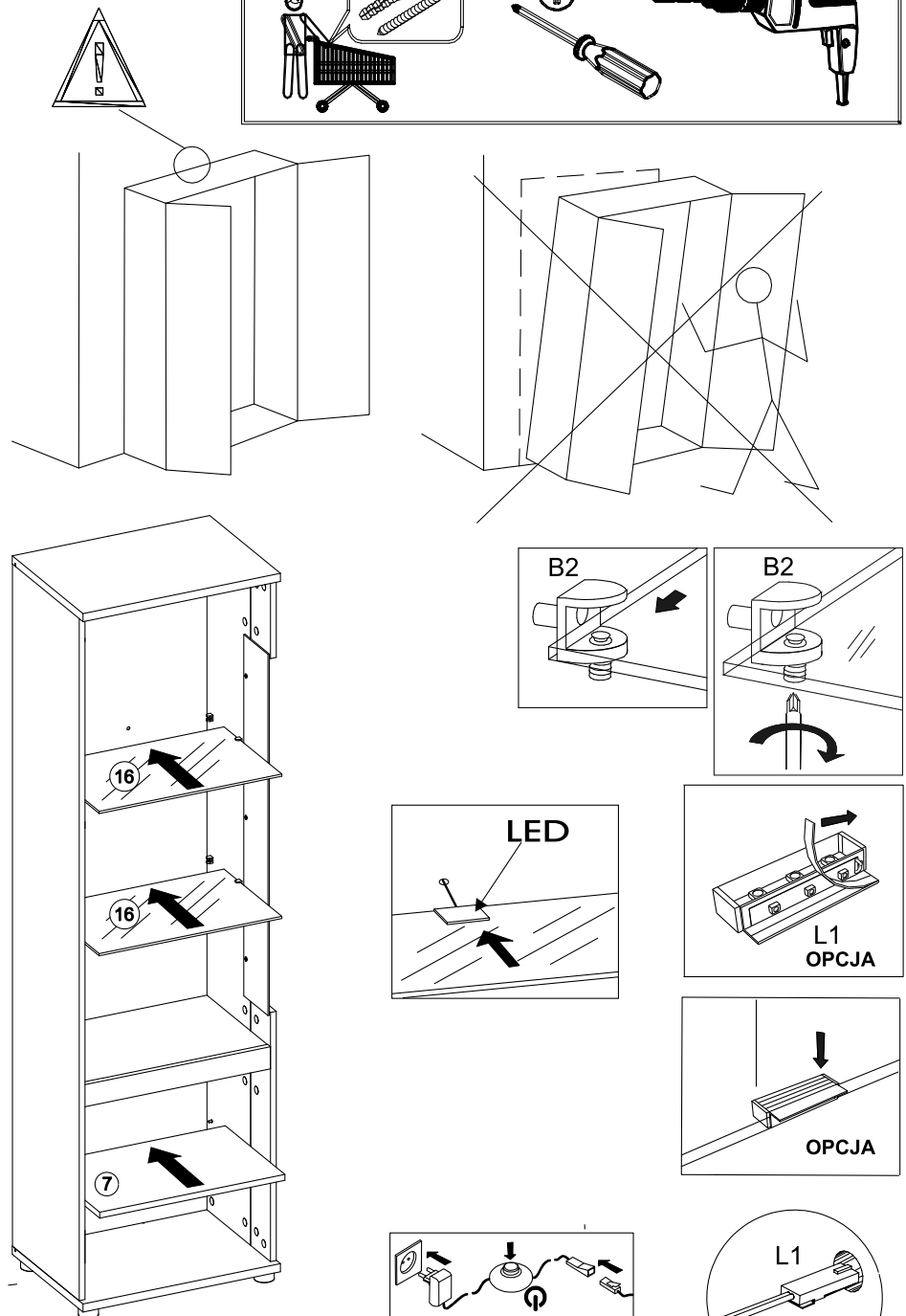
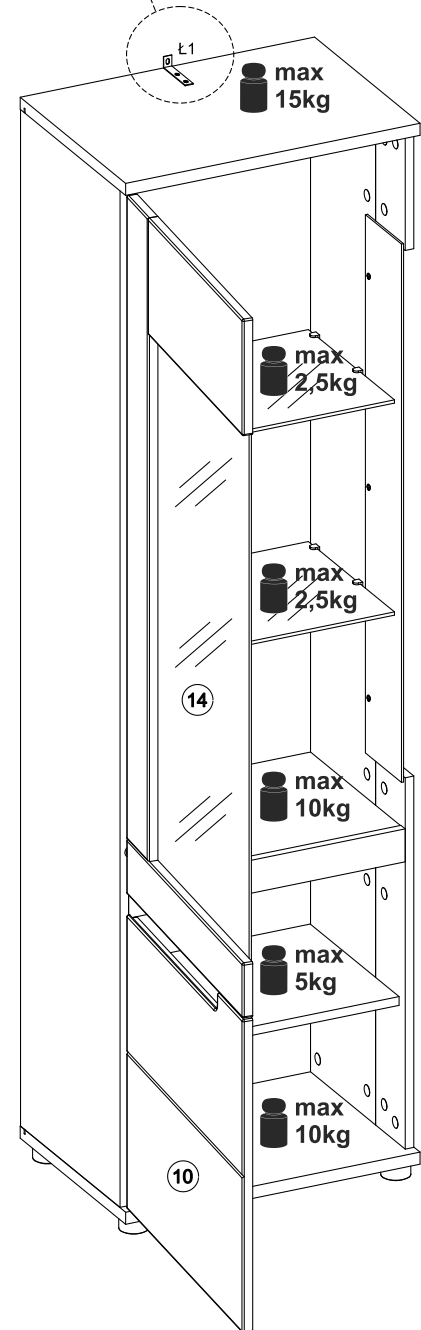
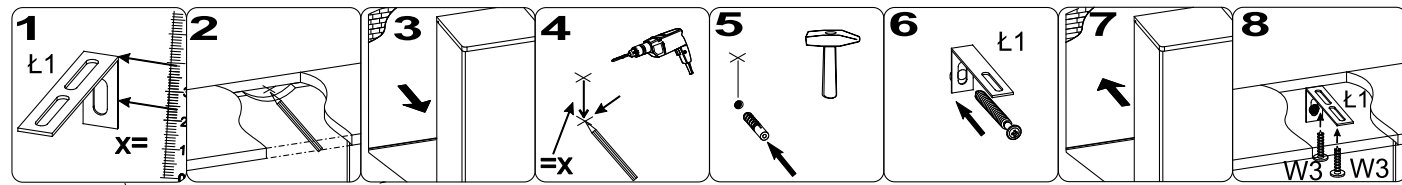
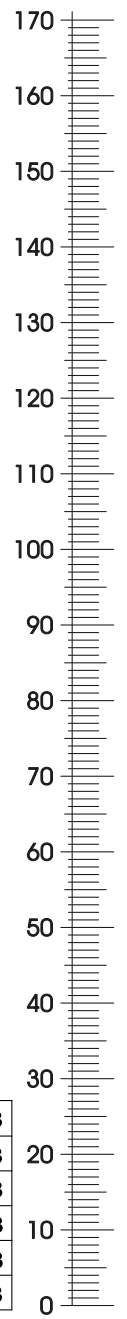
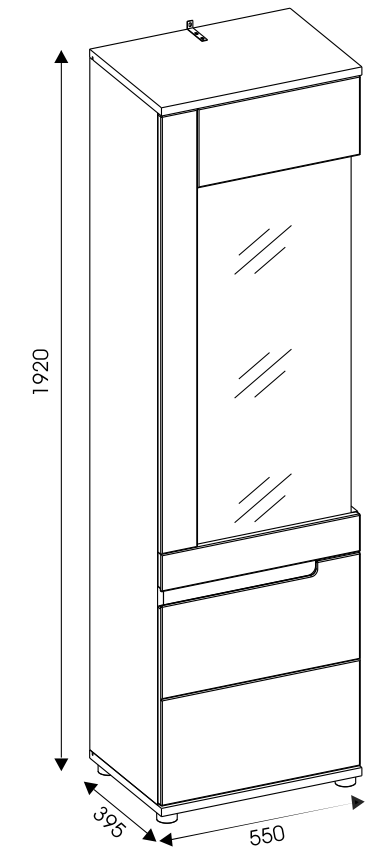
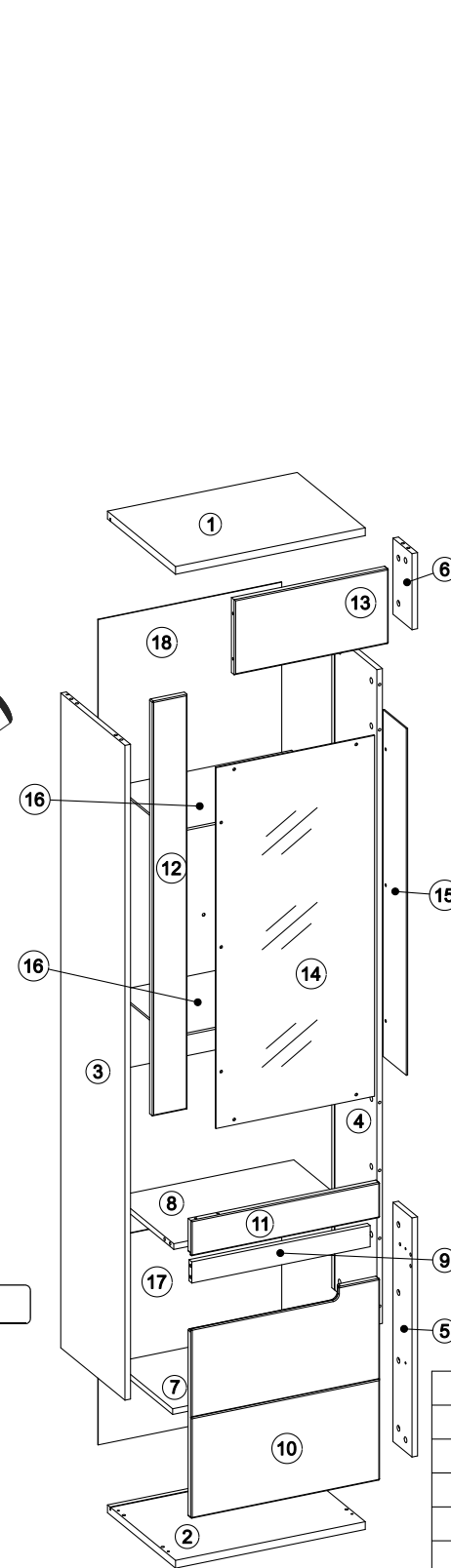
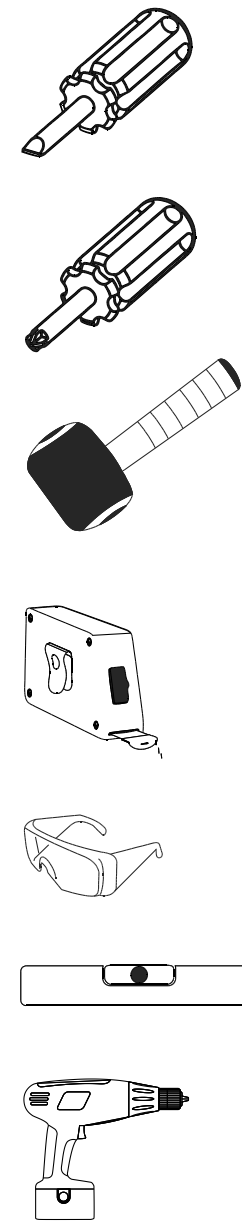
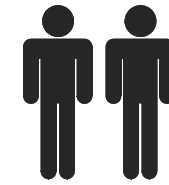
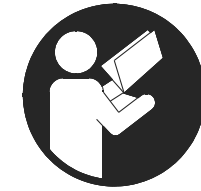


16

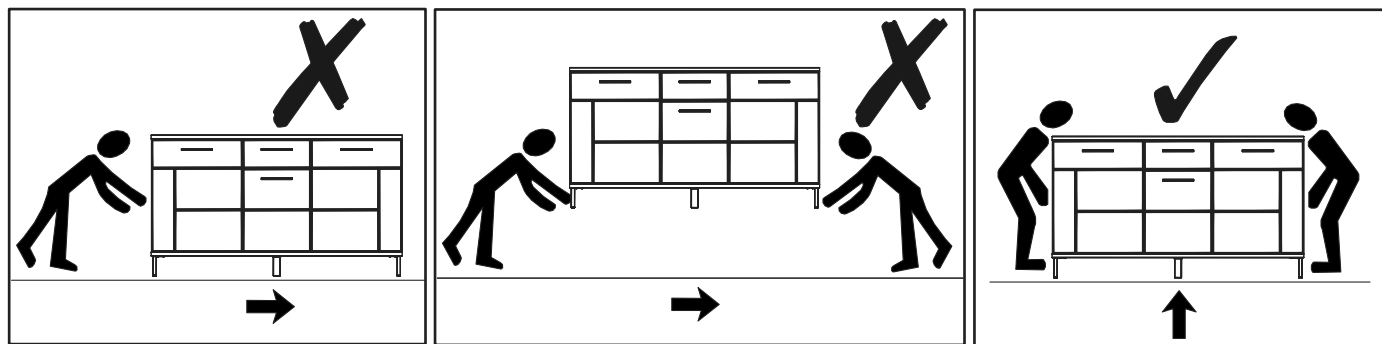
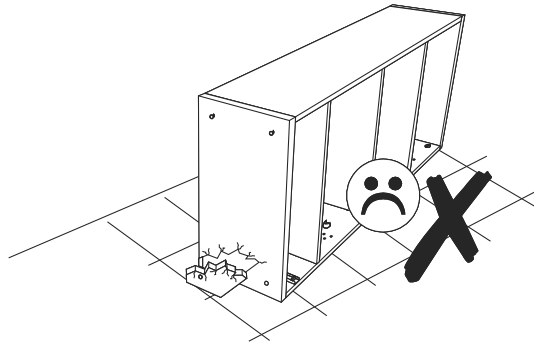
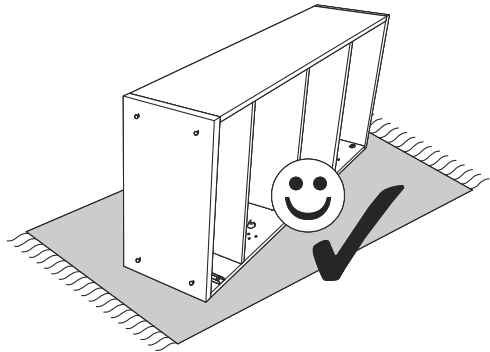
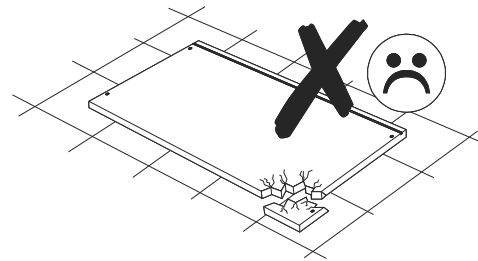
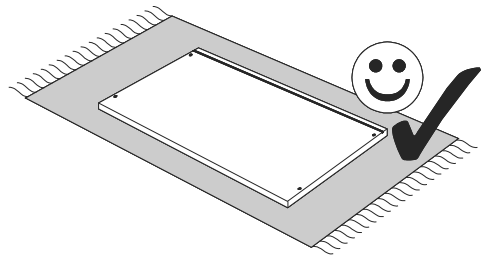
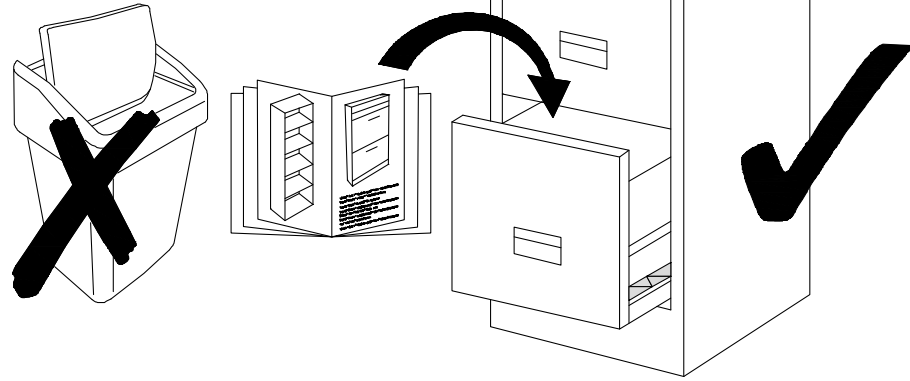


MODELL: PR6

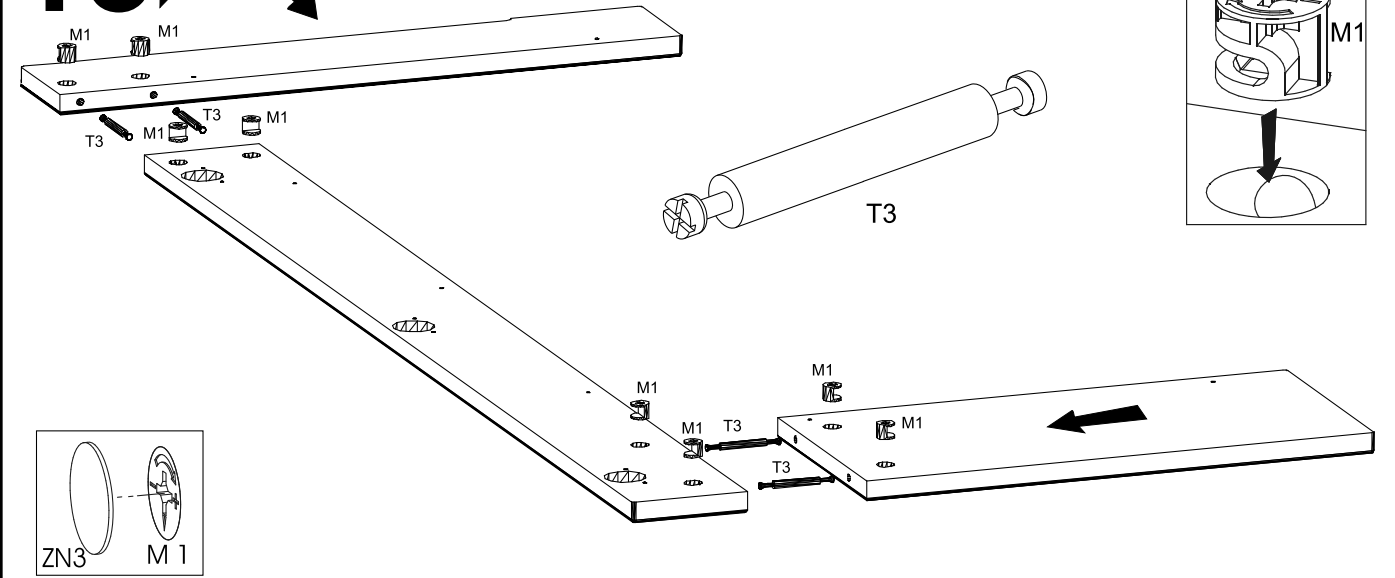


6	215x110	2/3	12	1172x100	3/3	18	1284x529	3/3
5	676x110	2/3	11	544x100	3/3	17	529x580	3/3
4	1851x260	2/3	10	544x570	3/3	16	506x320	1/3
3	1851x370	2/3	9	514x60	3/3	15	980x134	2/3
2	547x392	1/3	8	514x336	1/3	14	1020x447	2/3
1	547x392	1/3	7	513x330	1/3	13	444x212	3/3

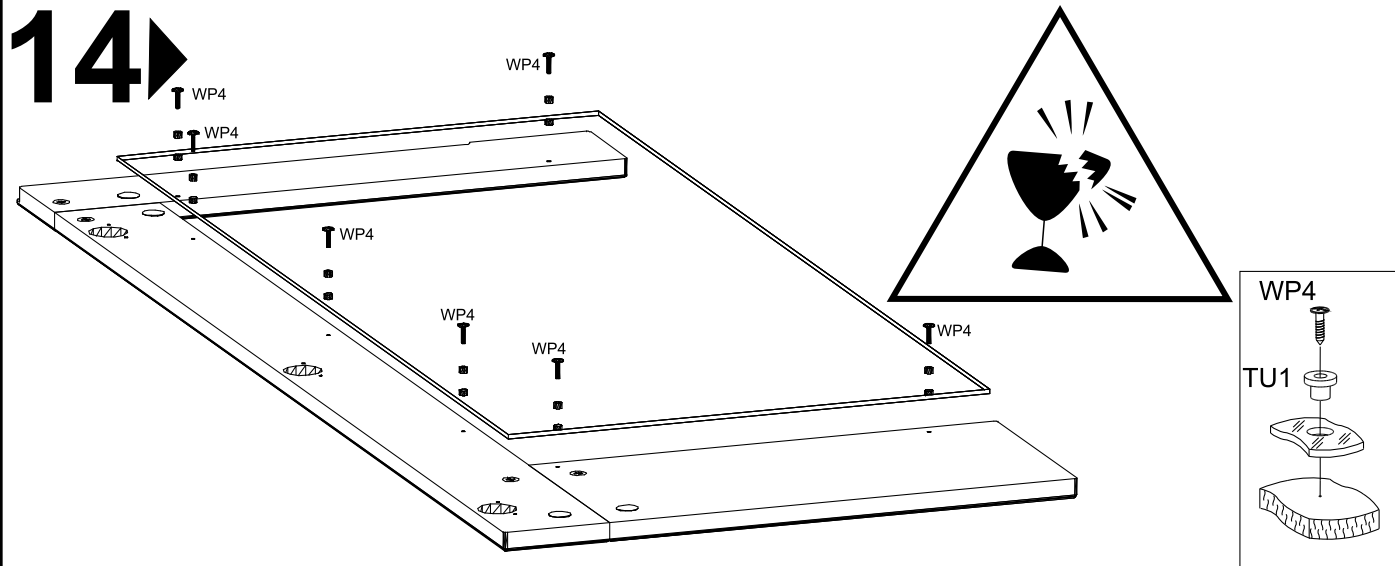
5x	ZC0	8x	#20/320	ZN3	1x	OPCJA	2x	NSP-3D/WW	L1	10x	WP4											
26x	#20/863	ZN1	14x	3.5x16	W3	16x	ST1	8x	B2	10x	TU1	16x	W9	5x	H=0	PRO	4x	4x25	WP3	4x	N1	
4x	BS1	16x	8x30	K1	10x	56	T3	1x	L1	32x	#15/15	M1	12x	DU232T	T1	1x	H1	4x	2x20	G1	4x	B1



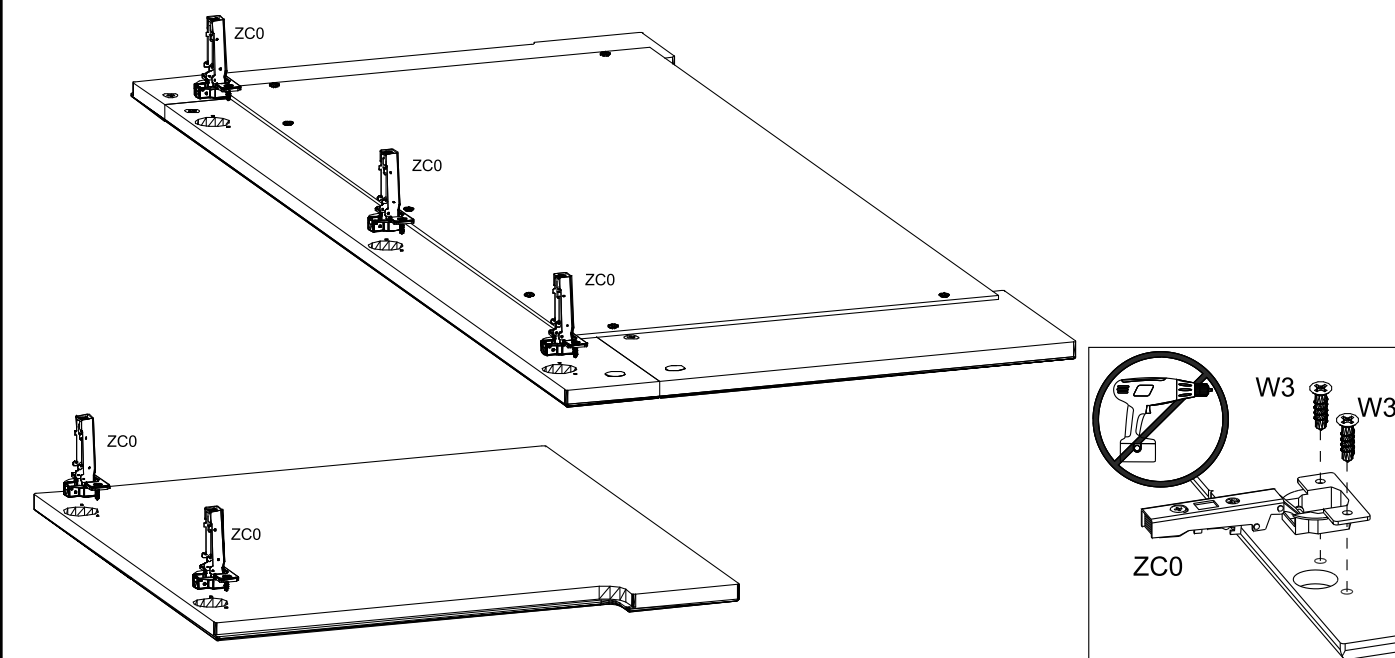
13



14

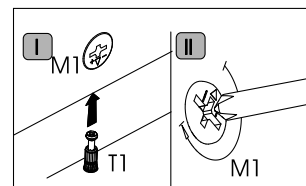
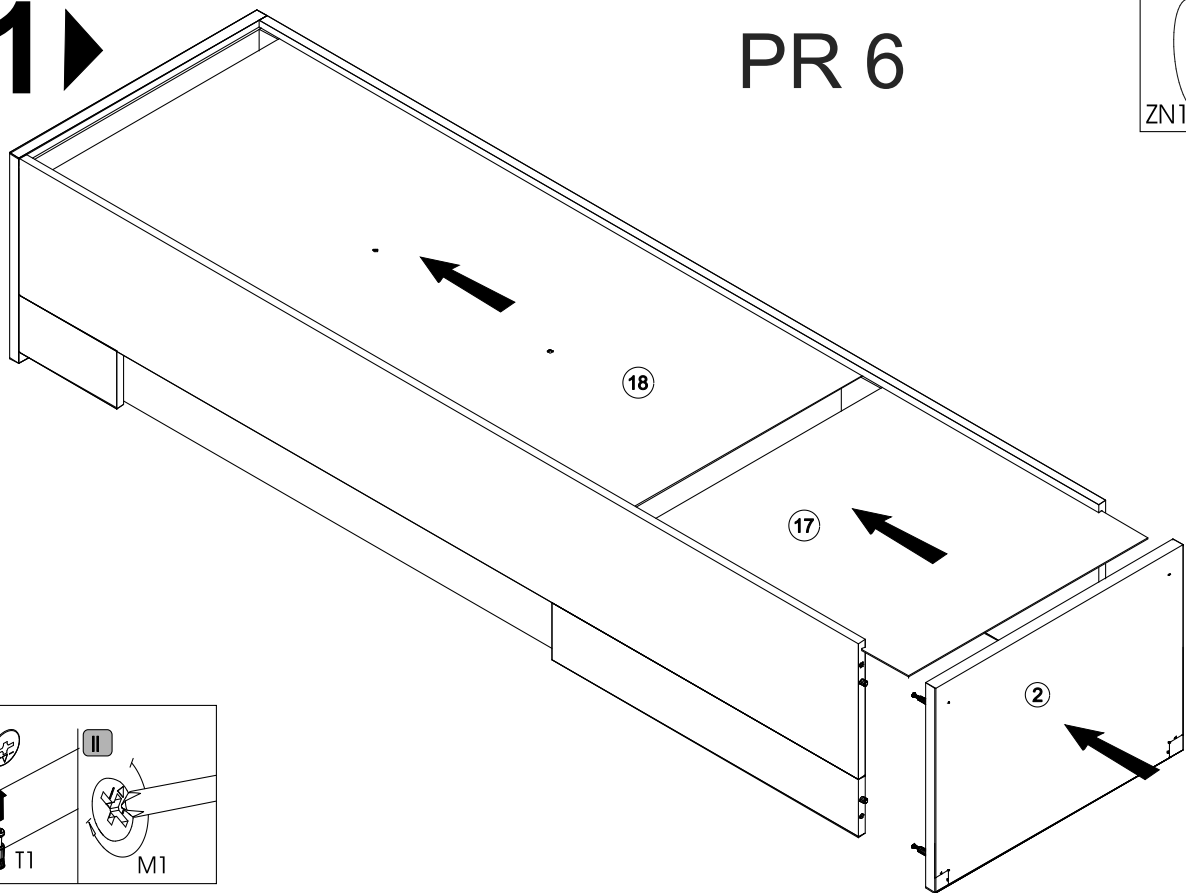
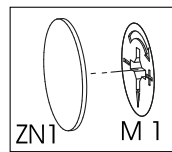


15

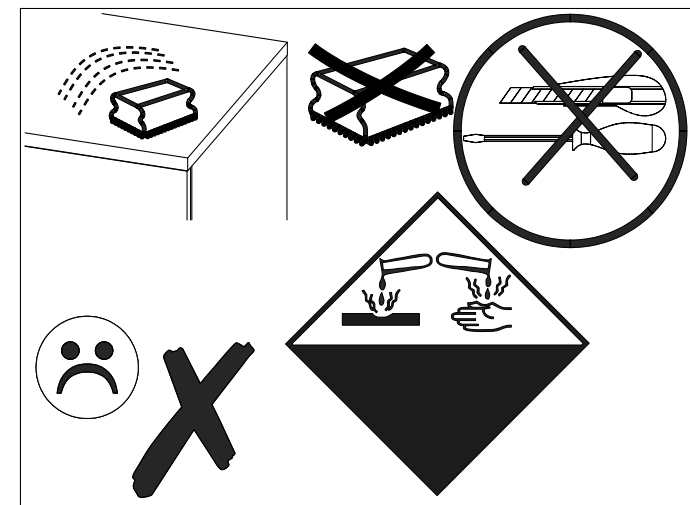
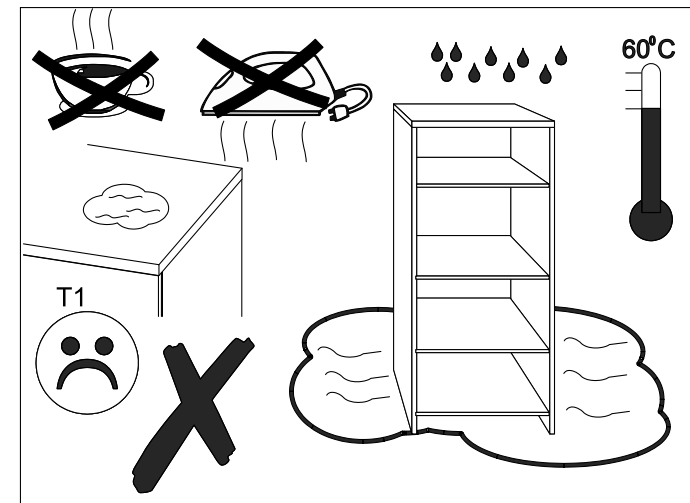
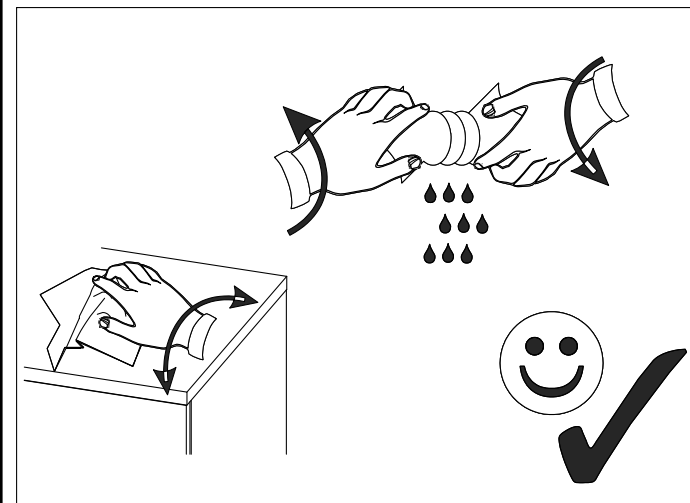
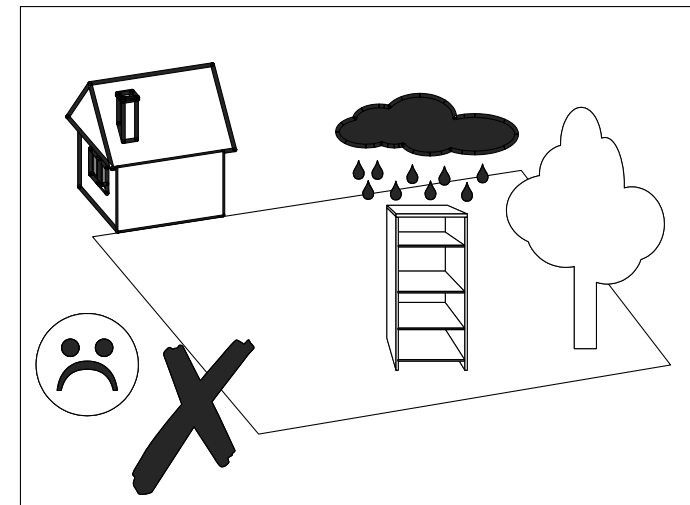
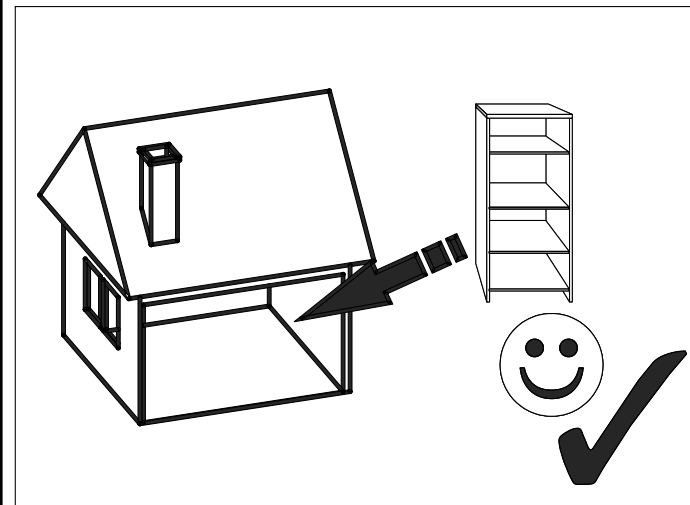
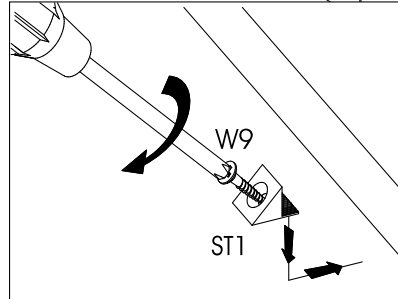
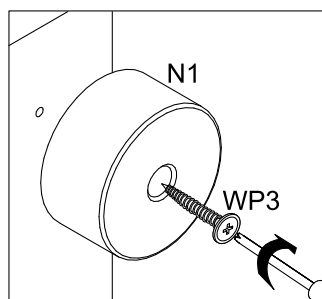
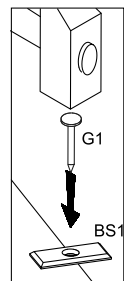
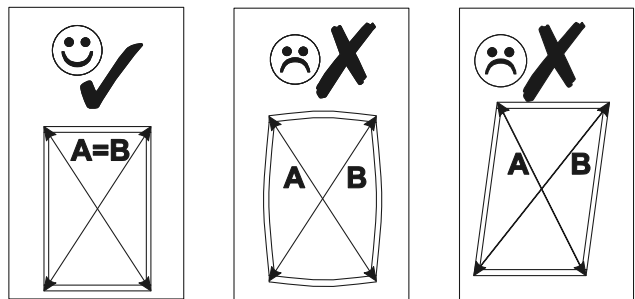
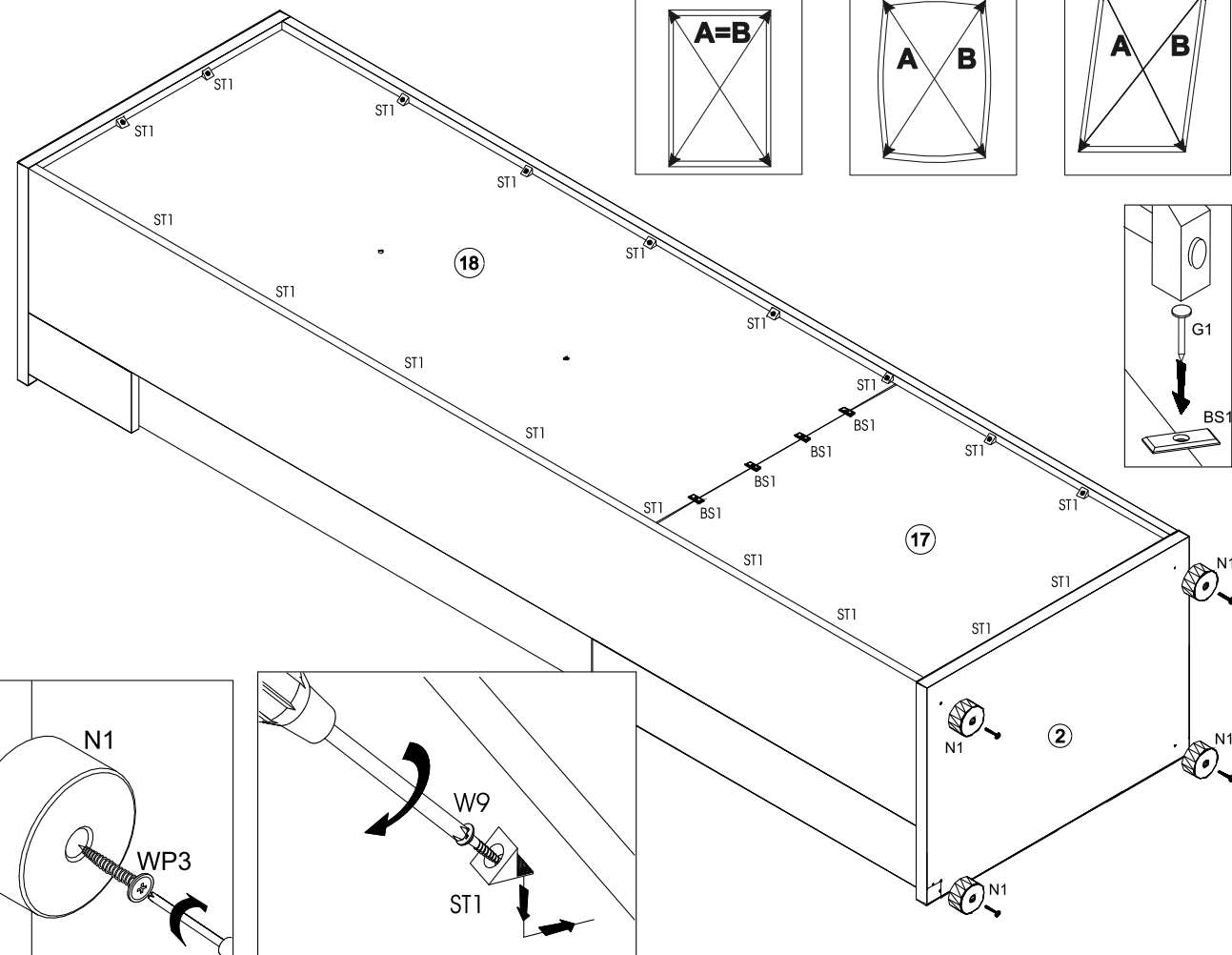


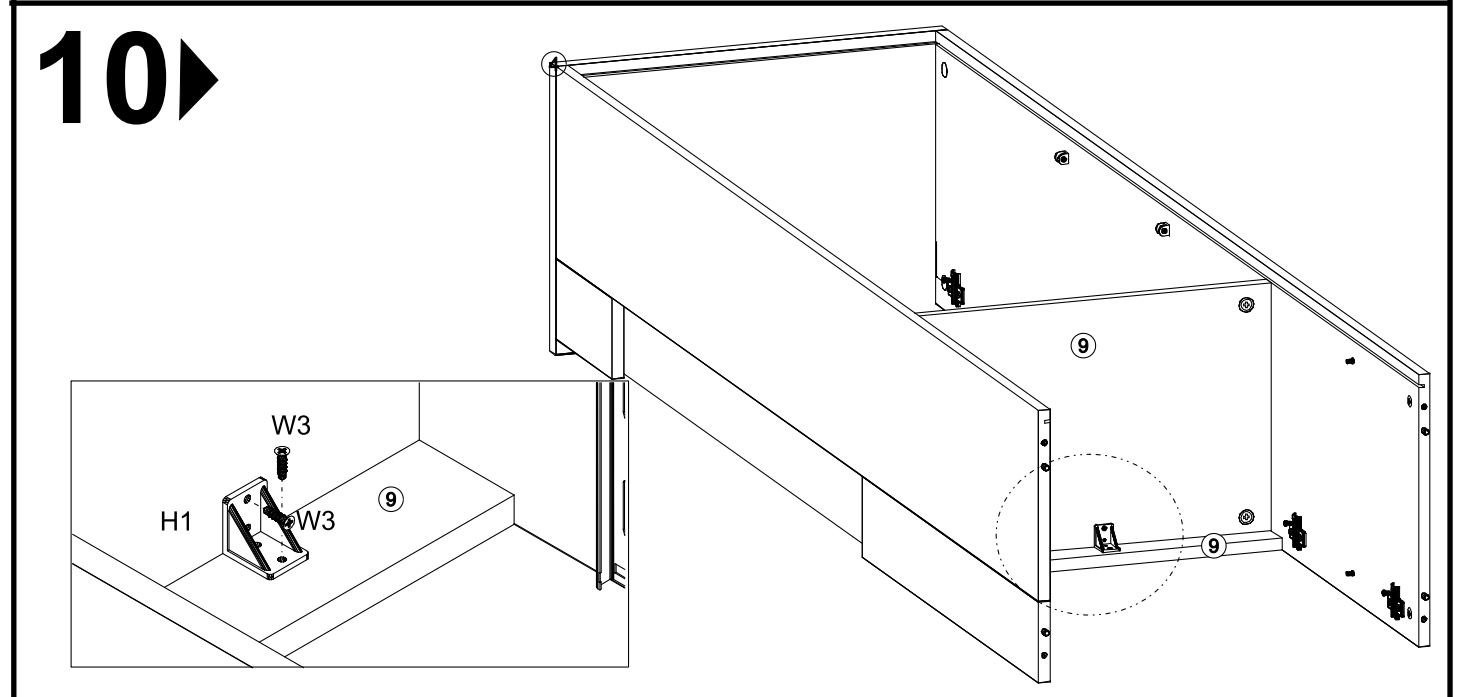
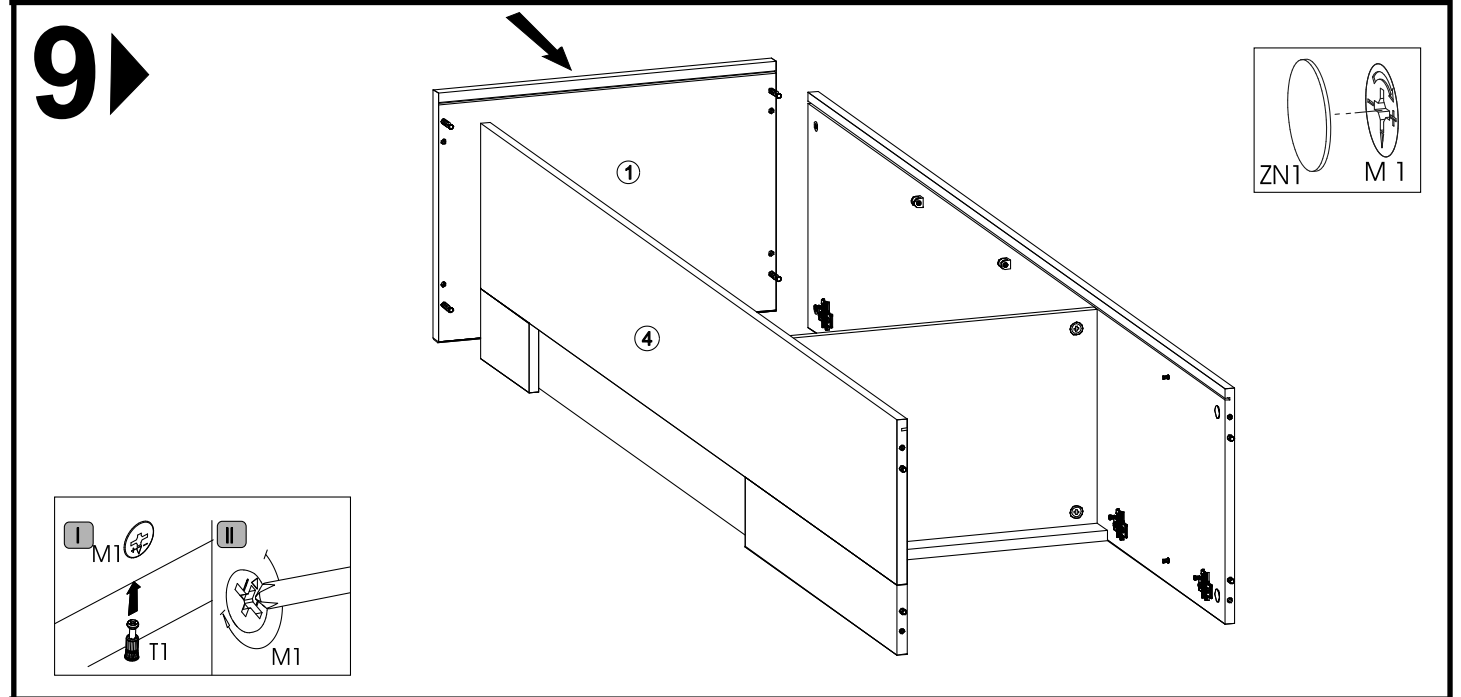
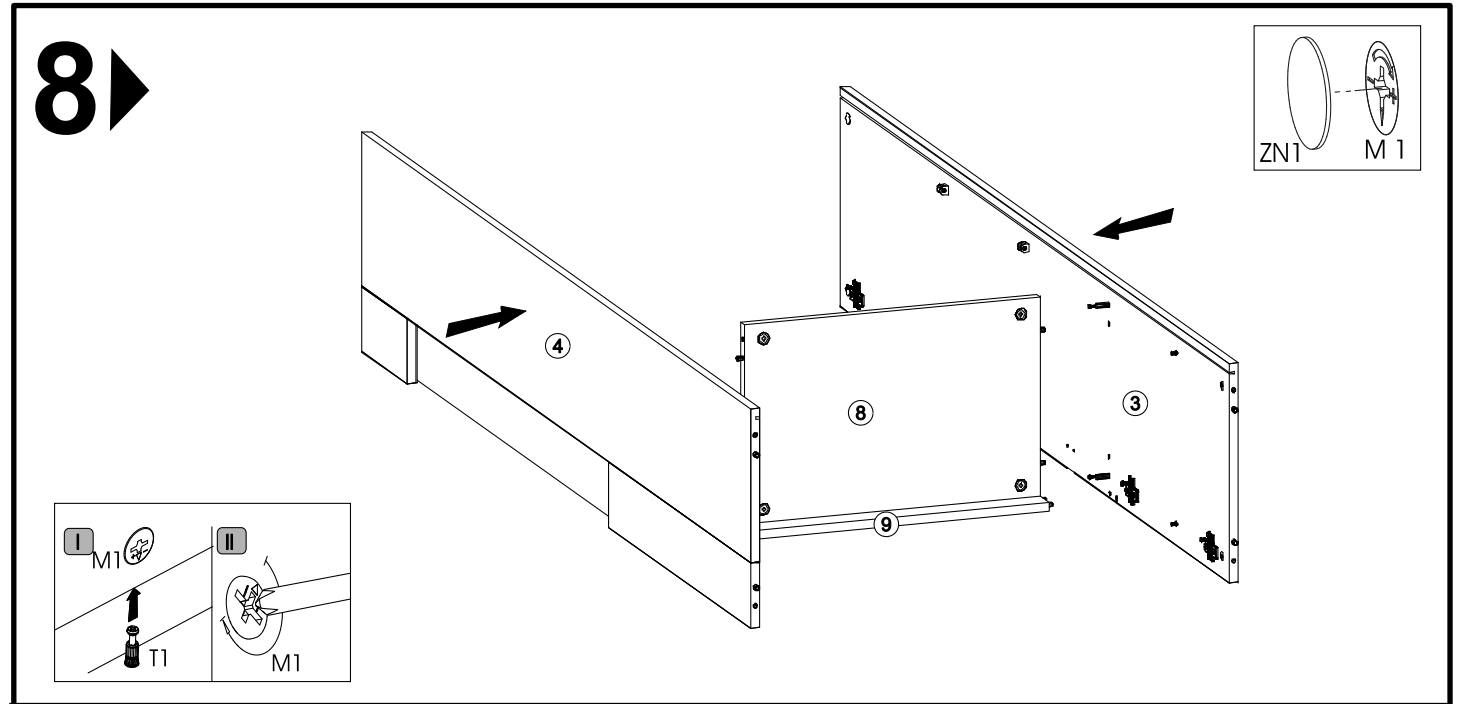
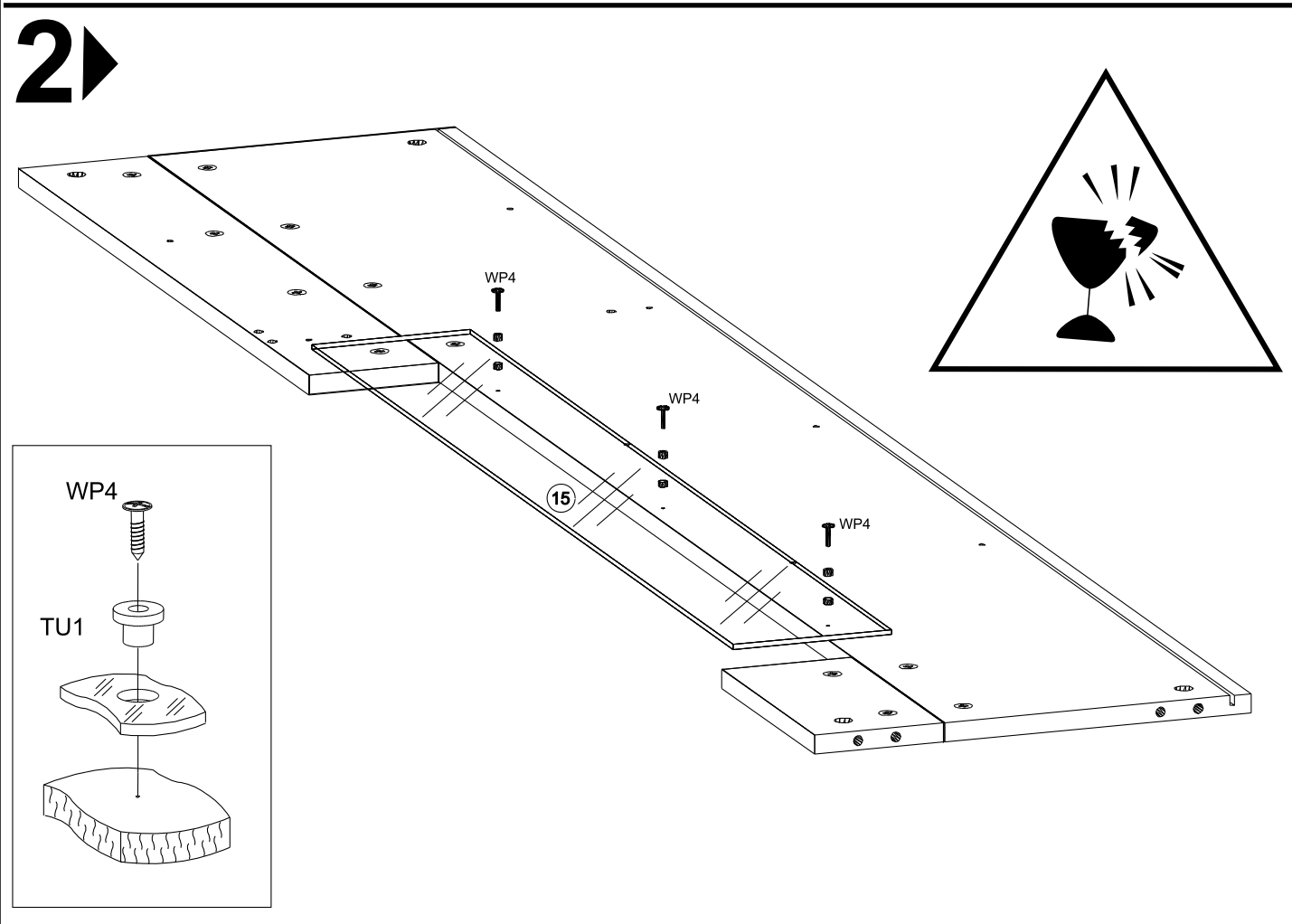
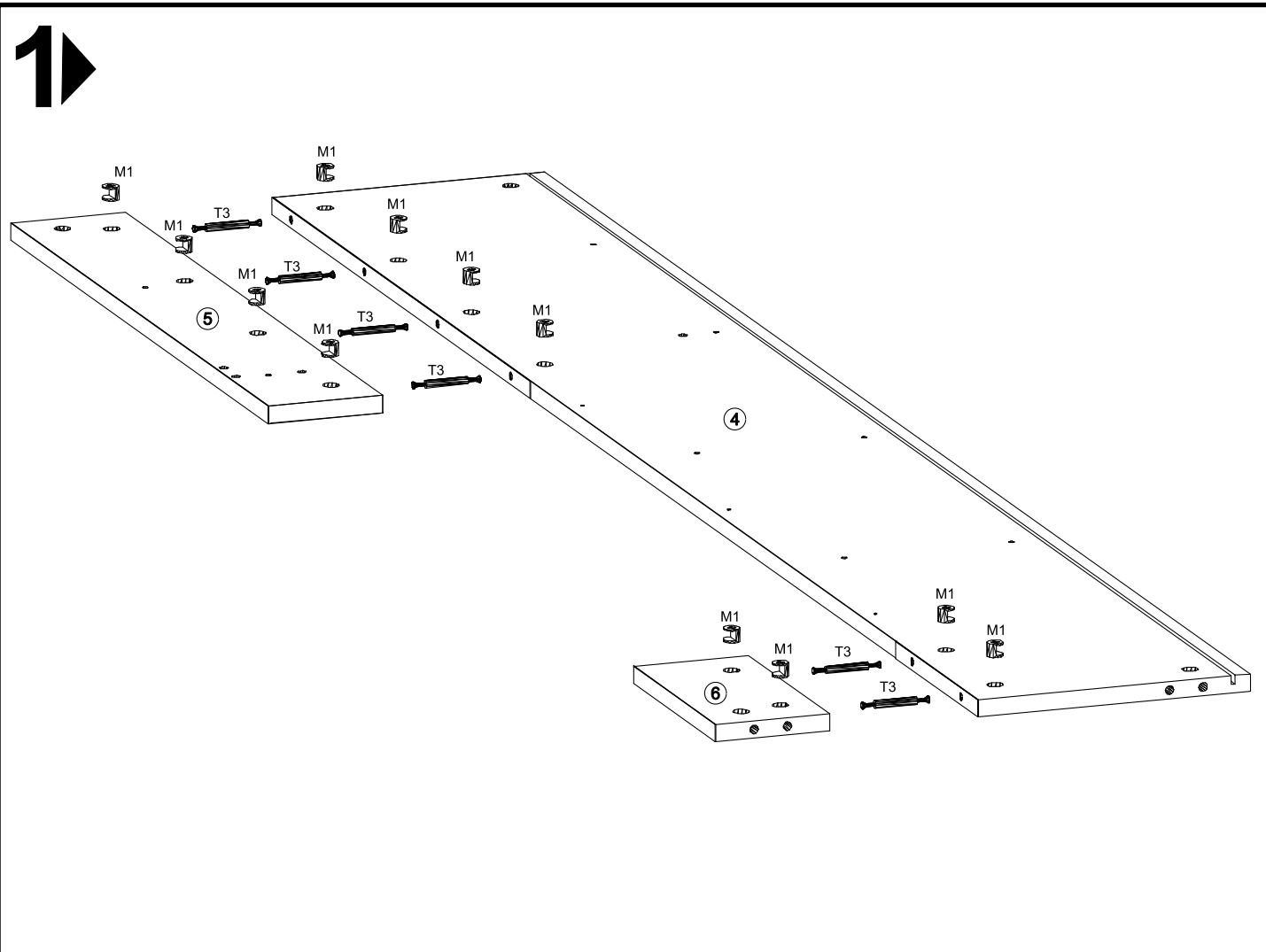
11▶

PR 6



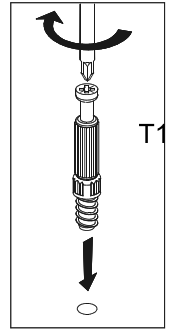
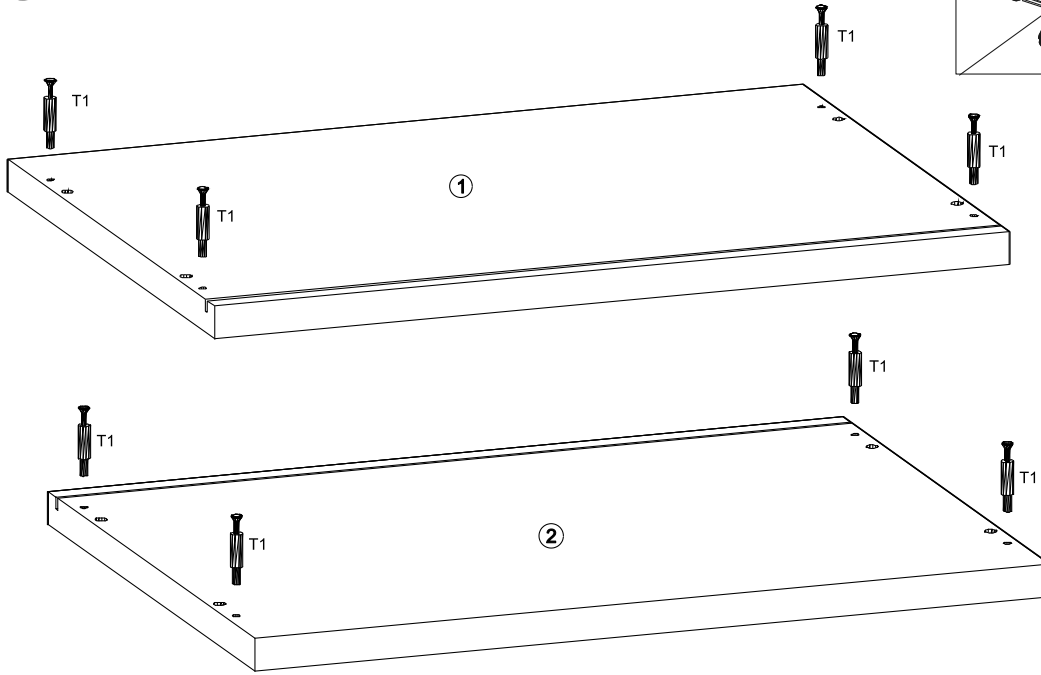
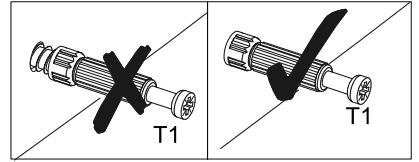
12▶



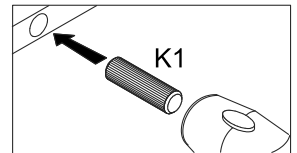
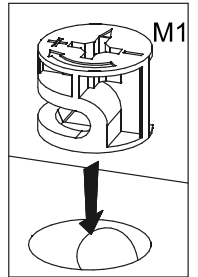
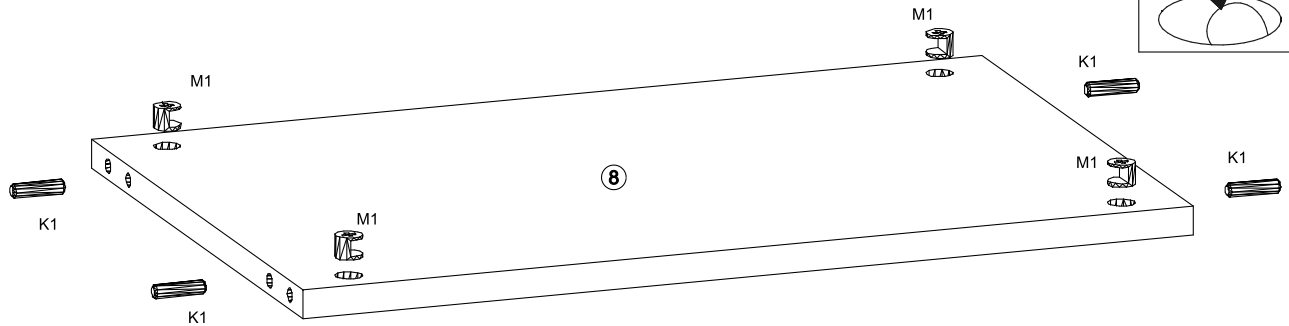


5▶

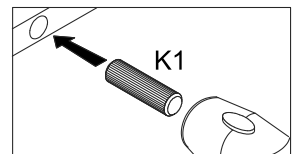
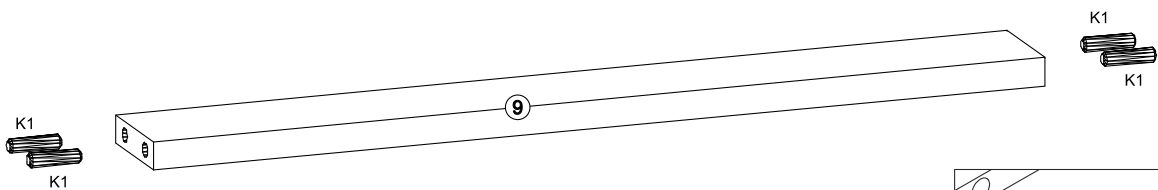
PR 6



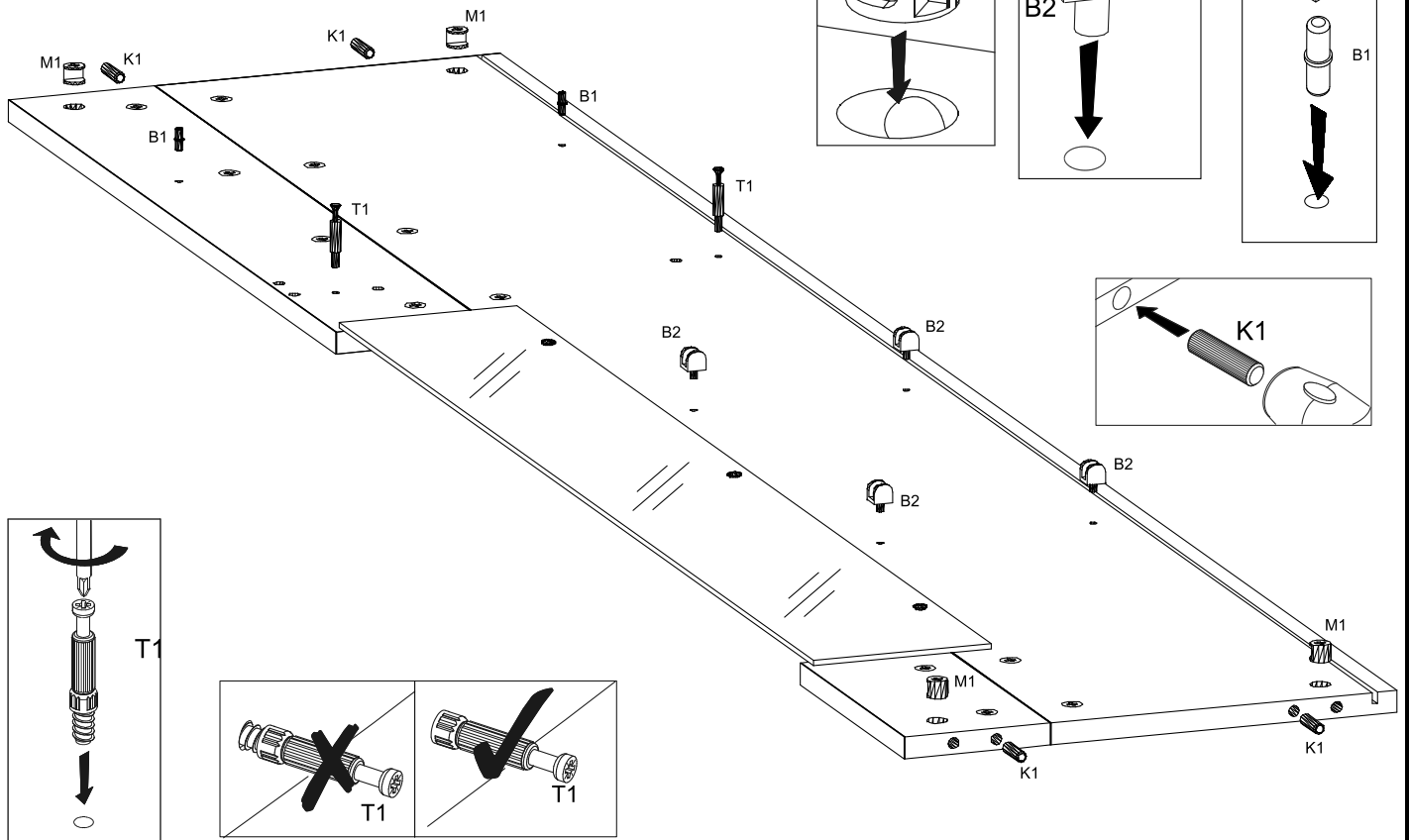
6▶



7▶



3



4

