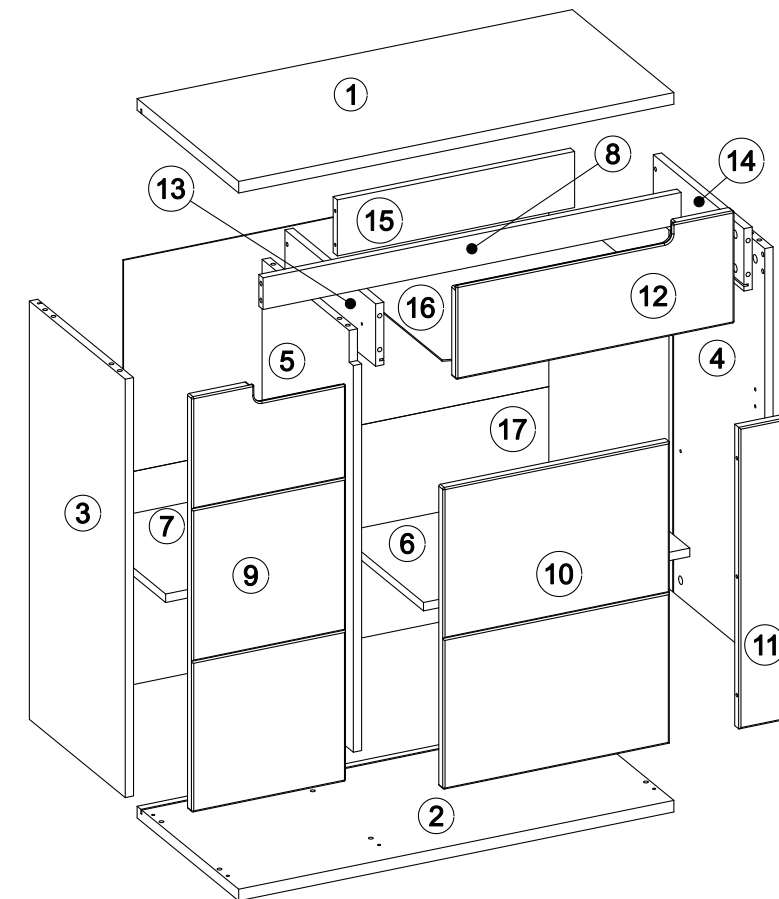
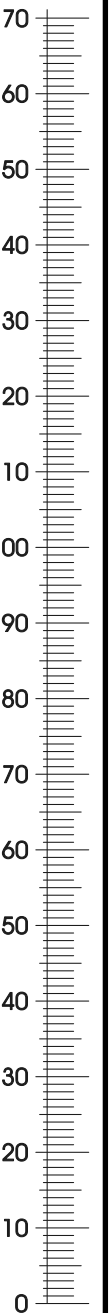
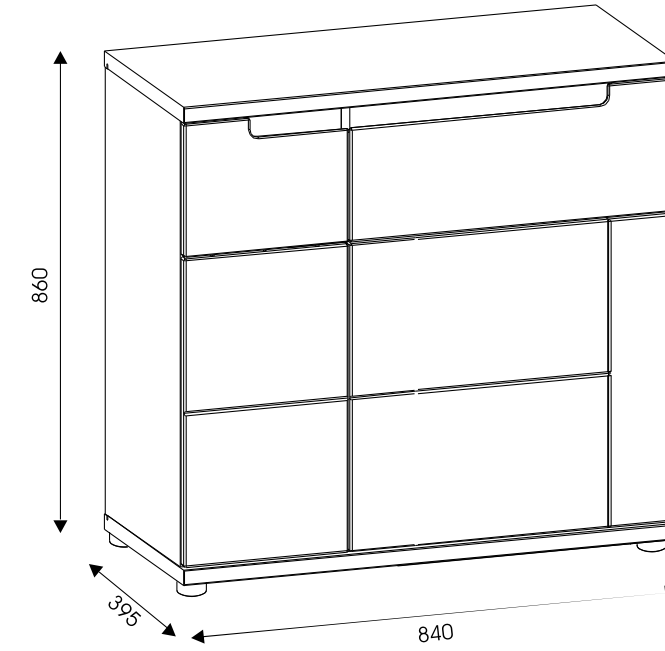
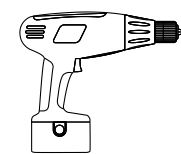
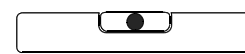
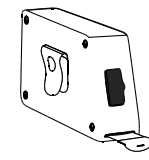
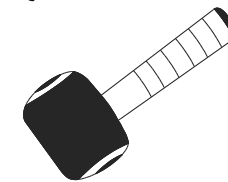
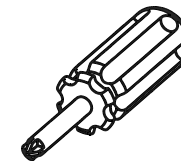
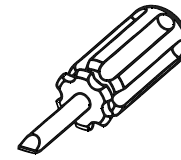
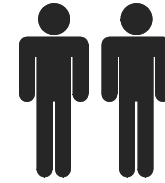
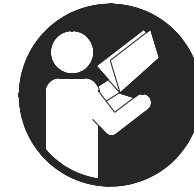
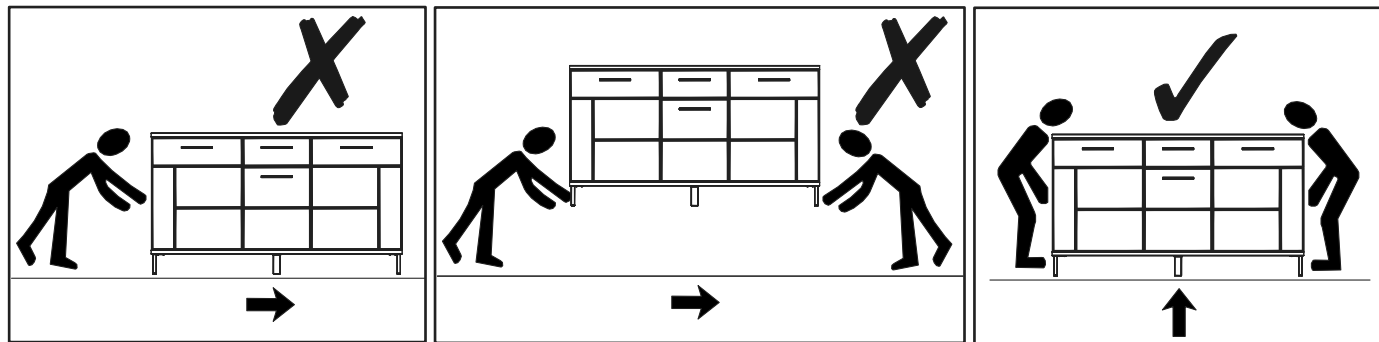
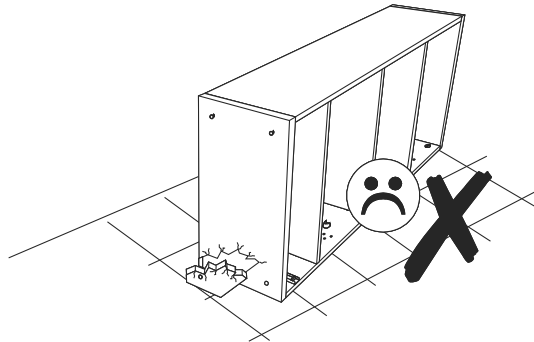
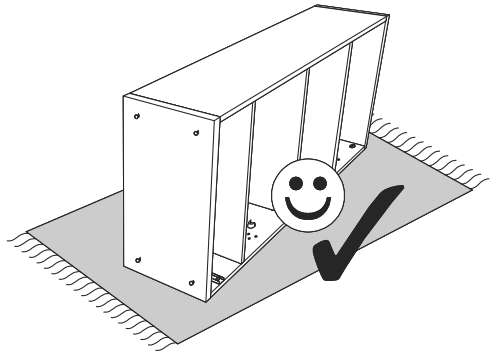
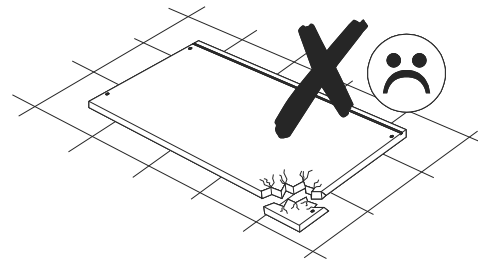
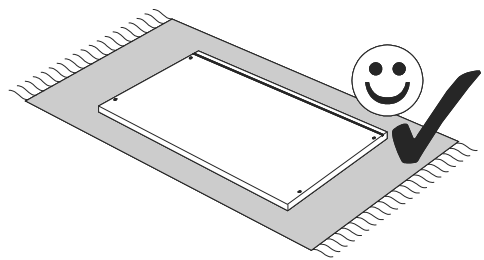
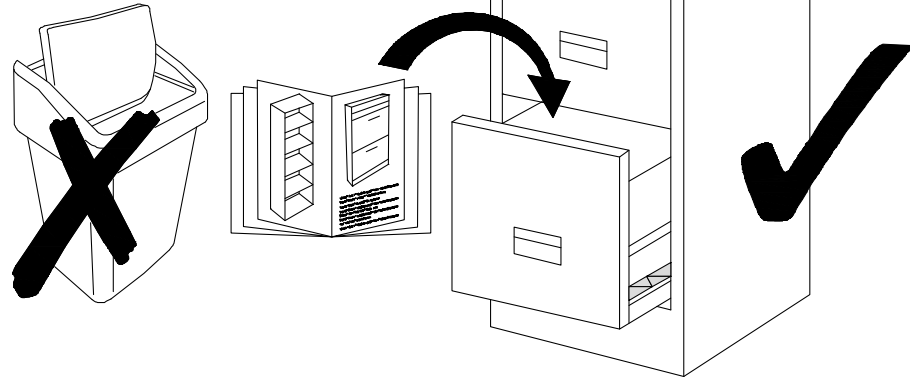


## MODELL: PR2

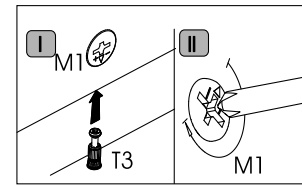
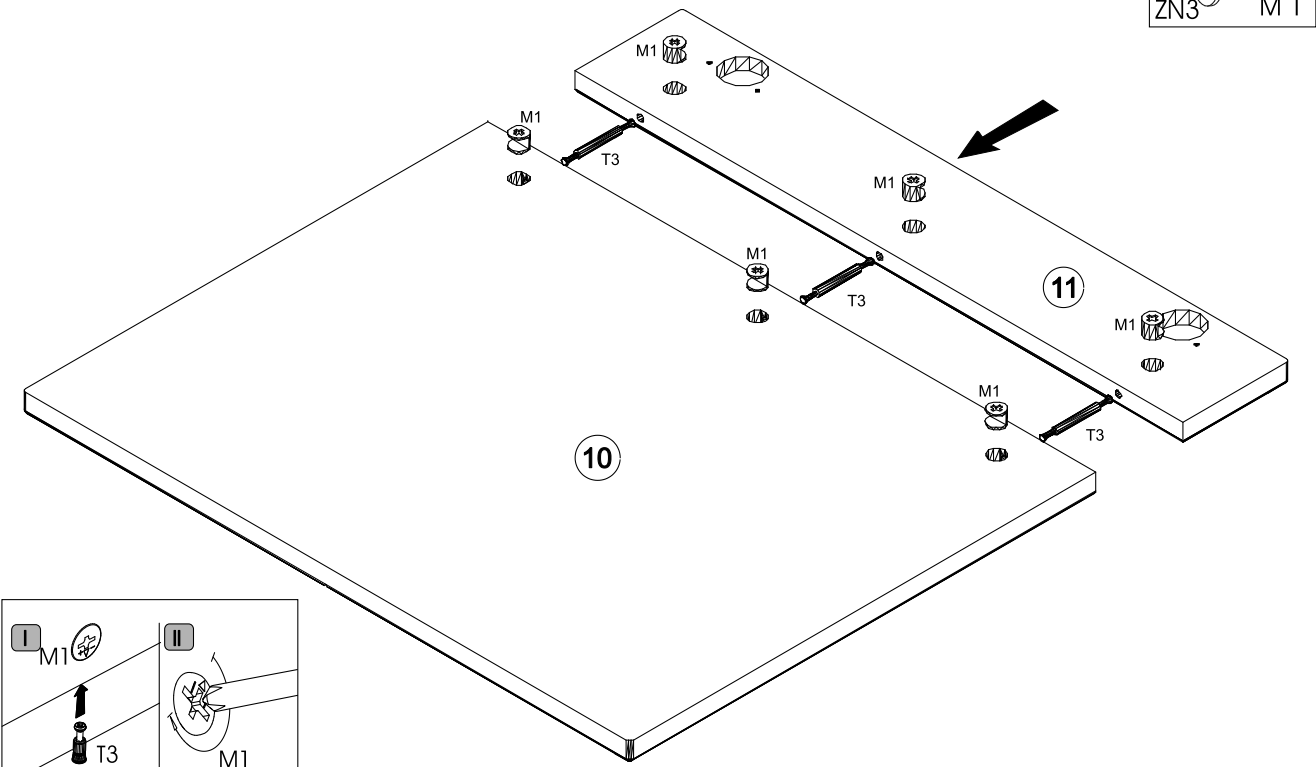
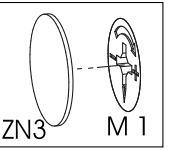


17	821x806	2/2
16	357x473	2/2
15	458x106	2/2
14	350x118	2/2
13	350x118	2/2
12	537x212	2/2
11	570x100	2/2
10	437x570	2/2
9	297x785	2/2
8	807x60	1/2
7	275x330	1/2
6	514x330	1/2
5	791x352	1/2
4	791x370	1/2
3	791x370	1/2
2	840x392	1/2
1	840x392	1/2

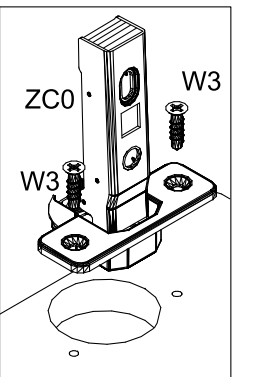
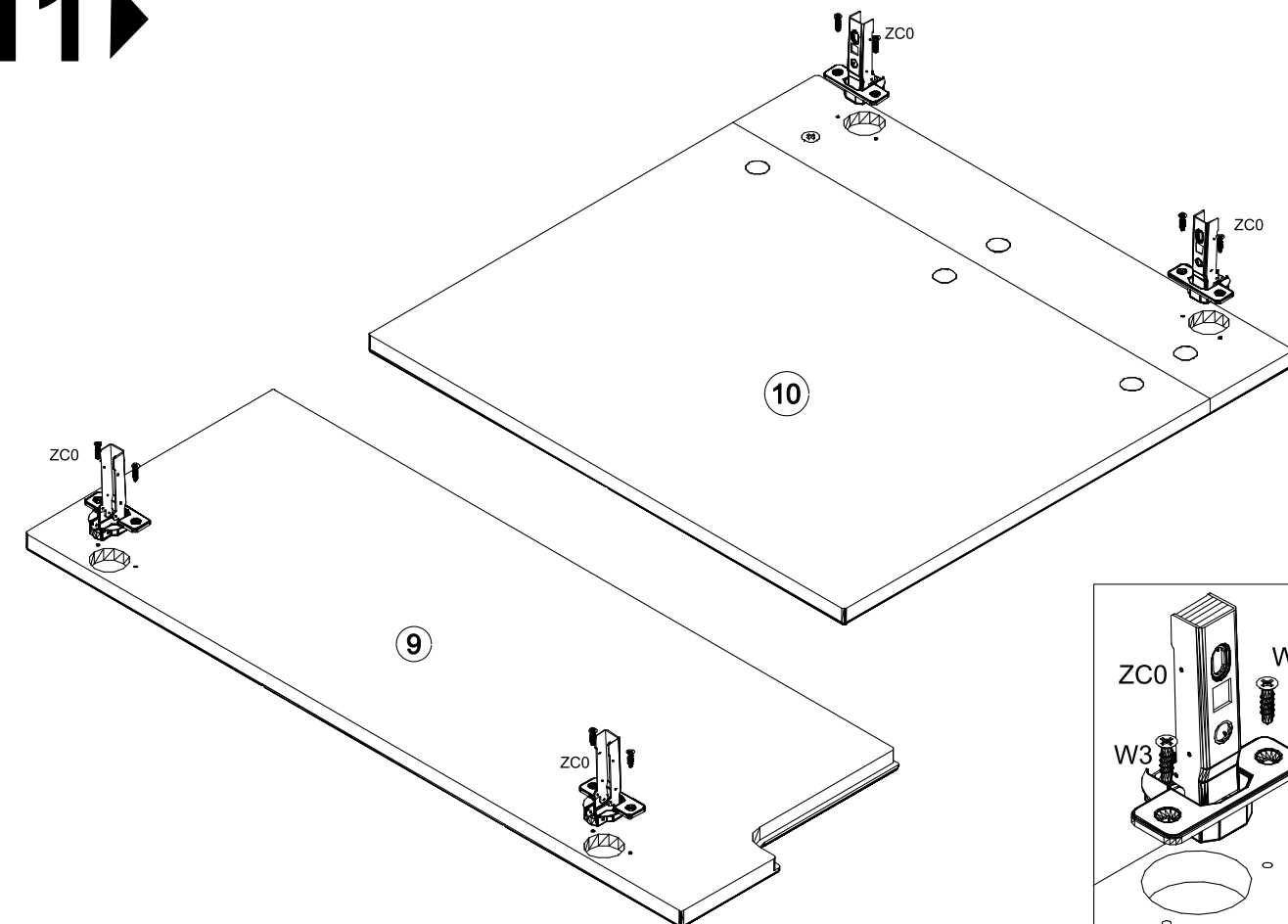
4x ZC0	6x #20/320 ZN3	1x R1	1x H1						
16x #20/863 ZN1	10x 3.5x16 W3	12x ST1	1 kpl. #350 PK3	4x #14/863 ZN2	12x 3x20 W9	4x H=0 PRO	4x 4x25 WP3	4x N1	
4x 6.4x50 K5	16x 8x30 K1	3x 56° T3	1x K20	22x #15/15 M1	16x DU232T T1	8x B1	10x 2x20 G1	8x 5x11 E1	



# 10 ▶

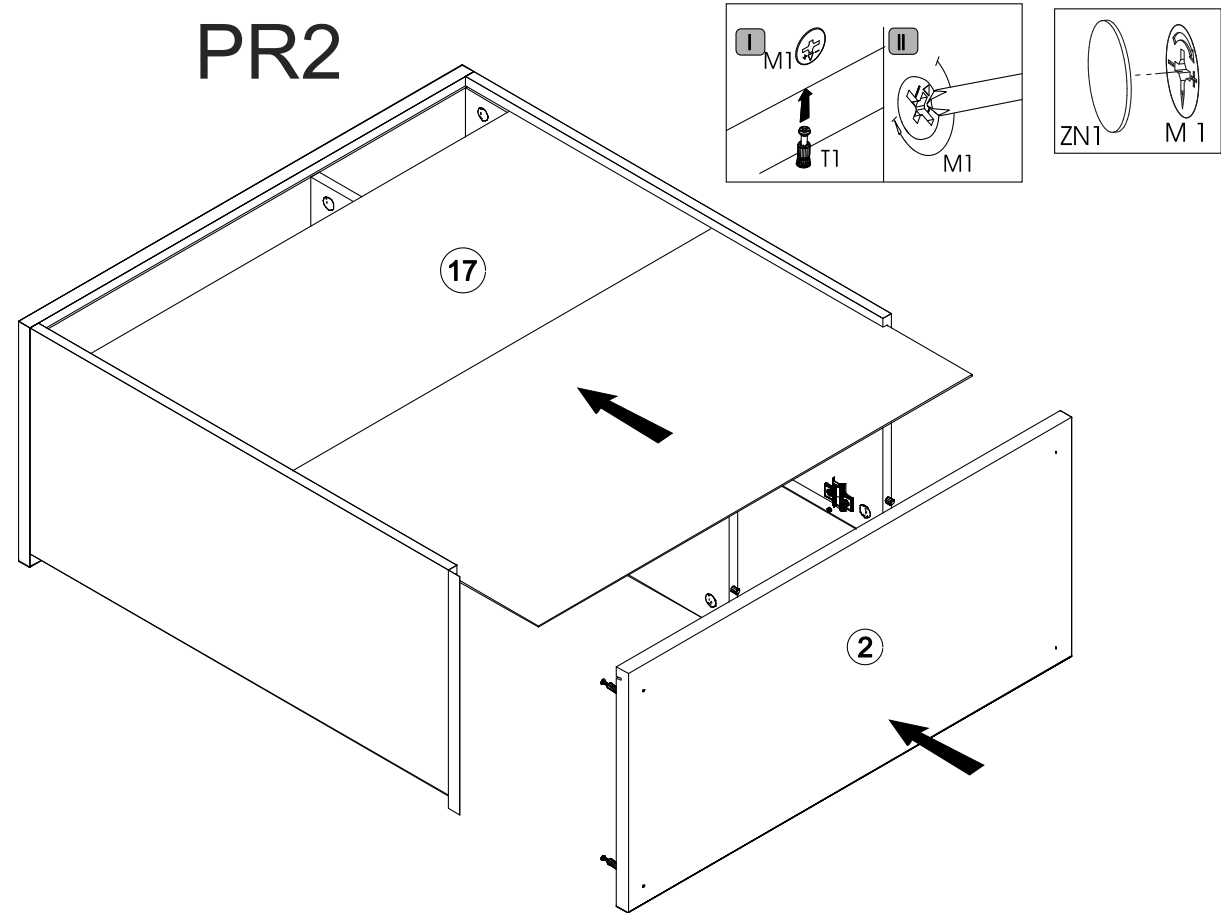


# 11 ▶

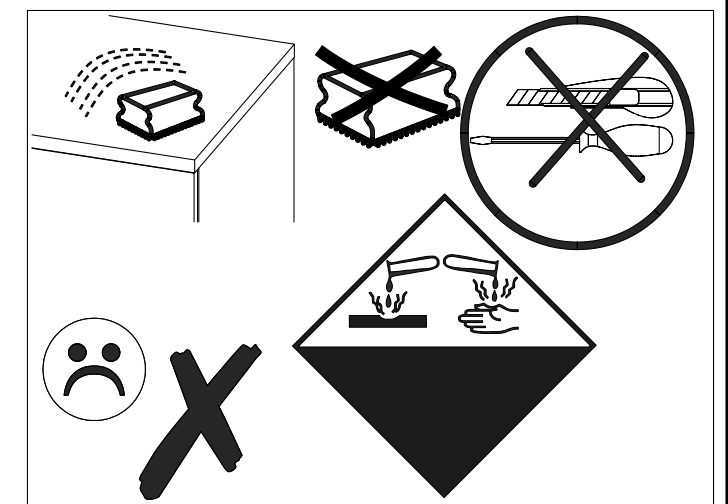
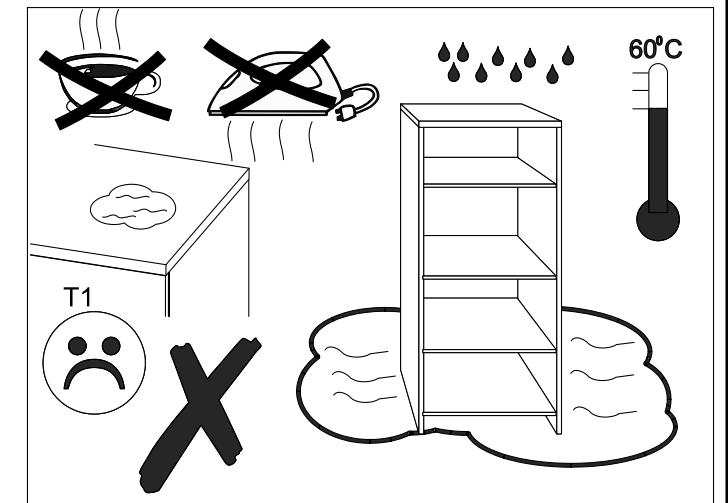
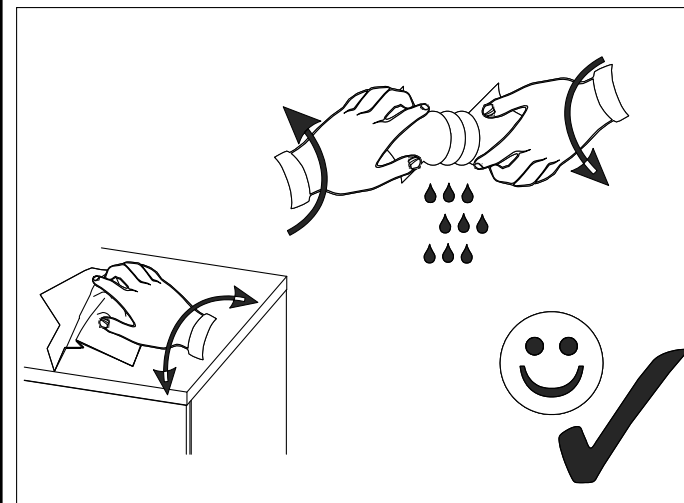
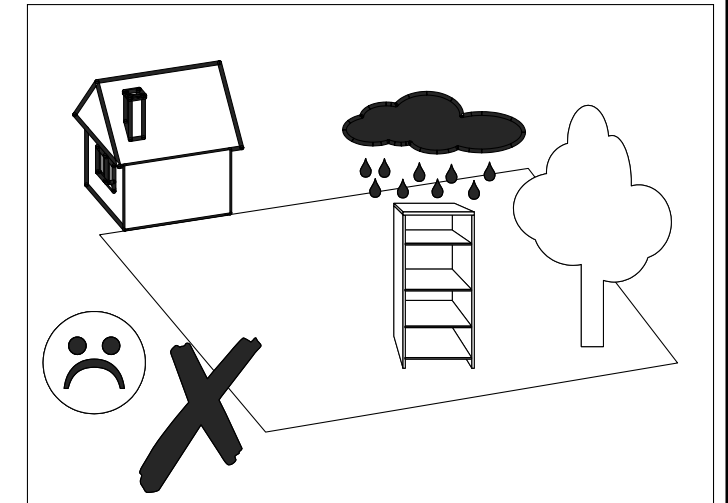
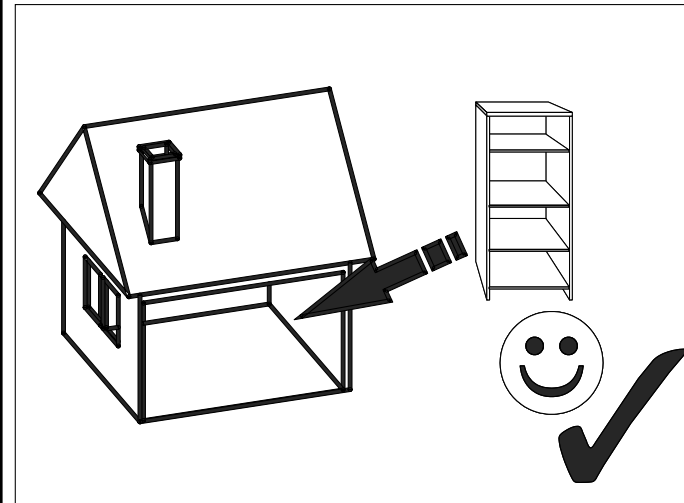
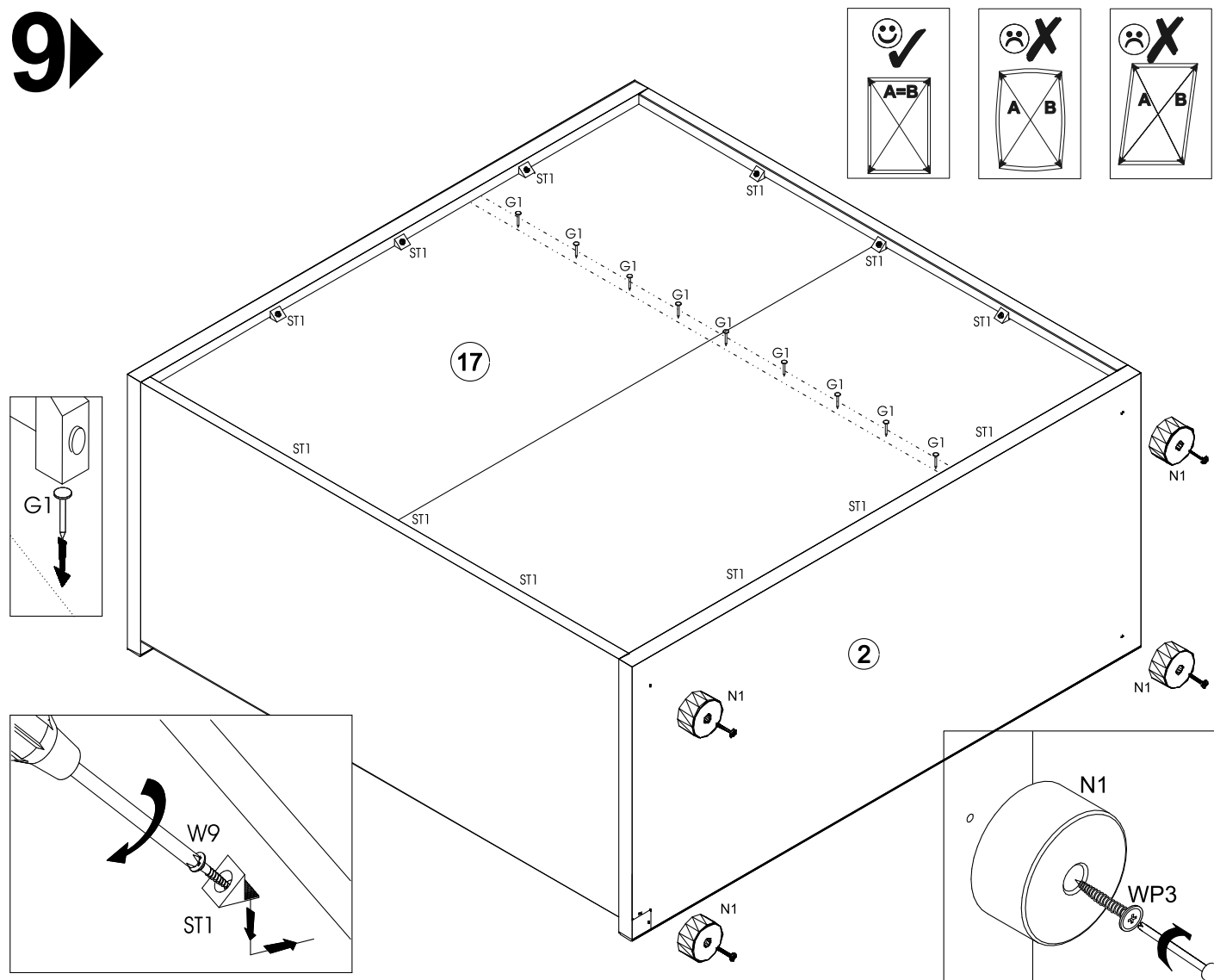


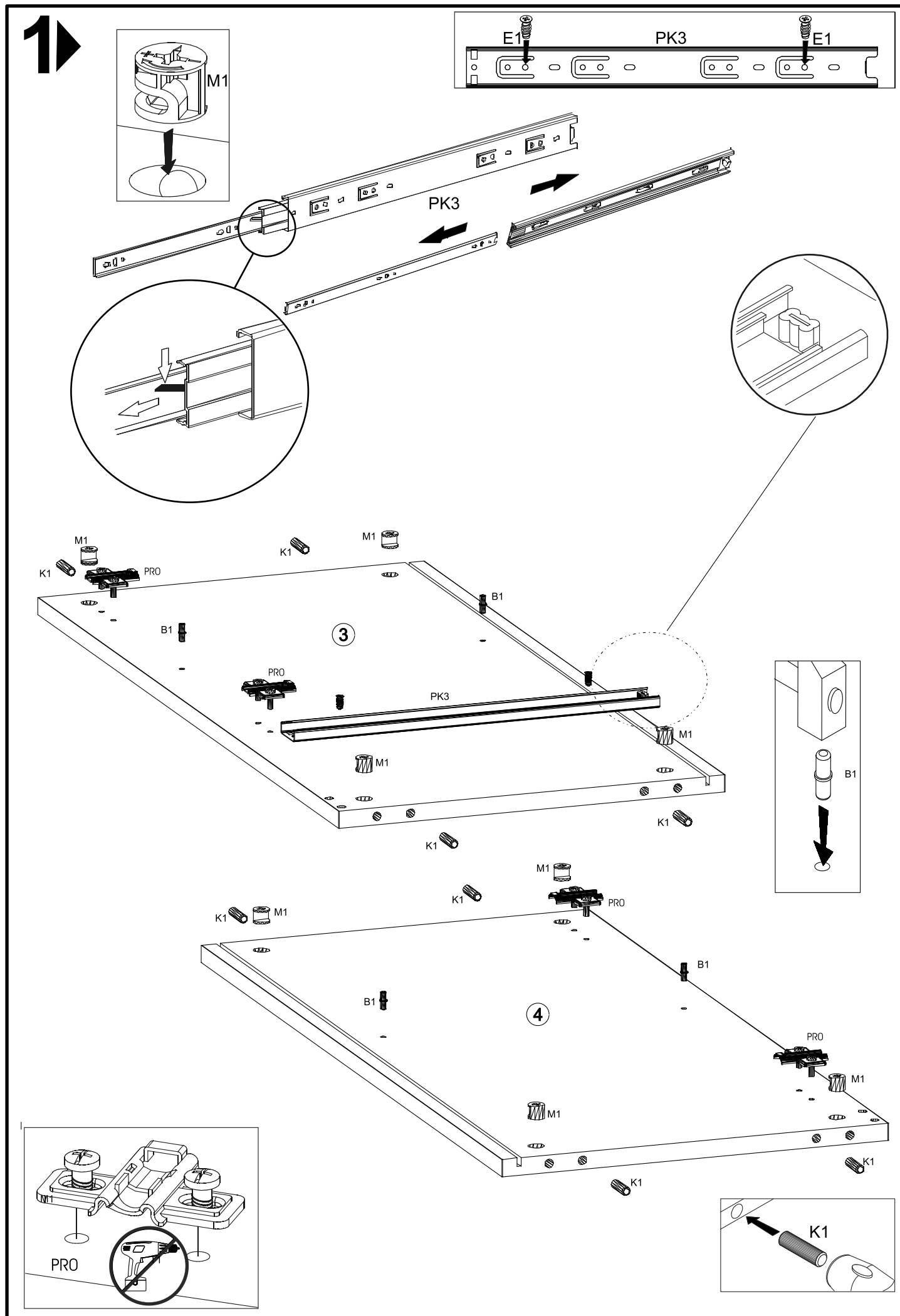
8

PR2

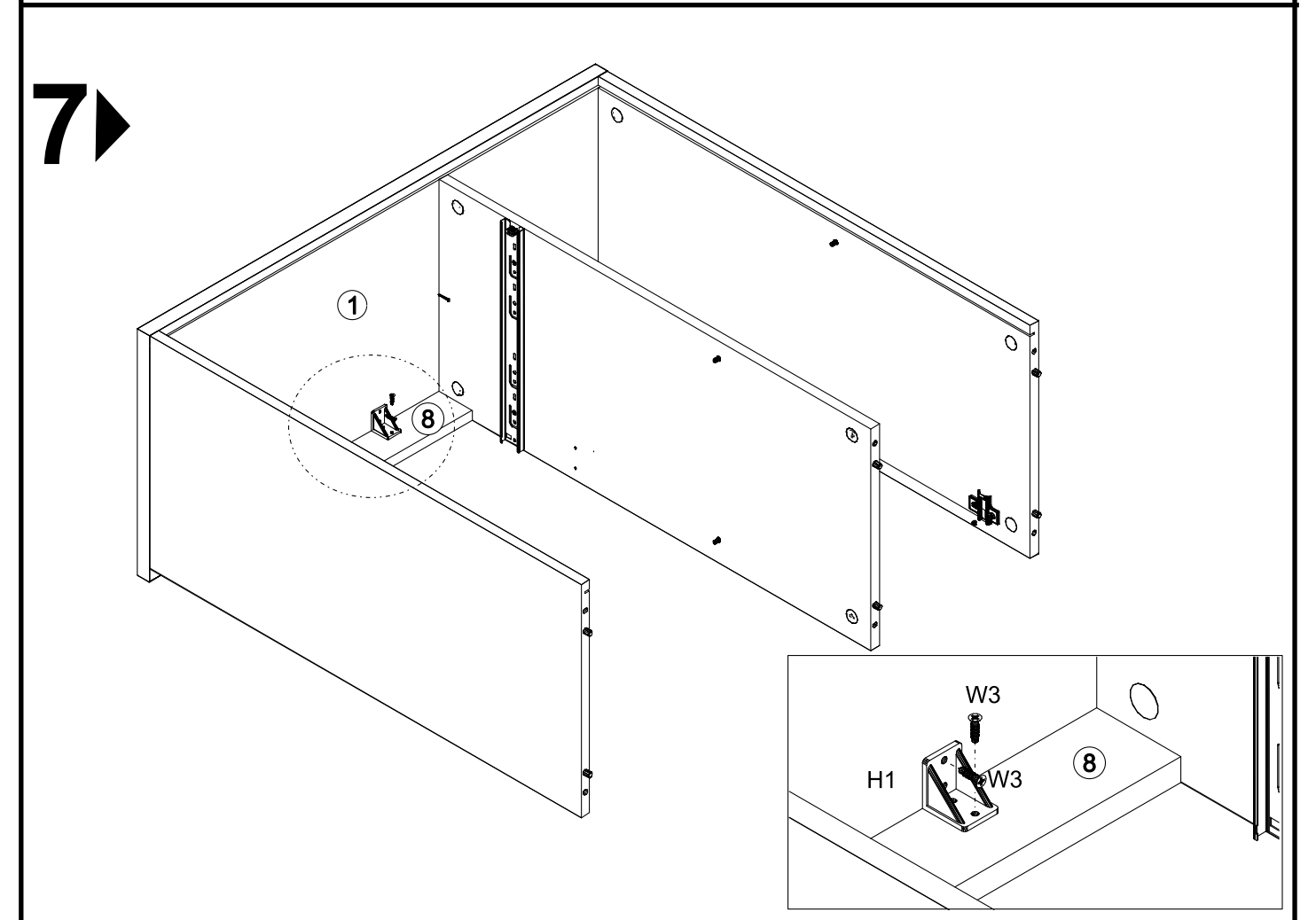
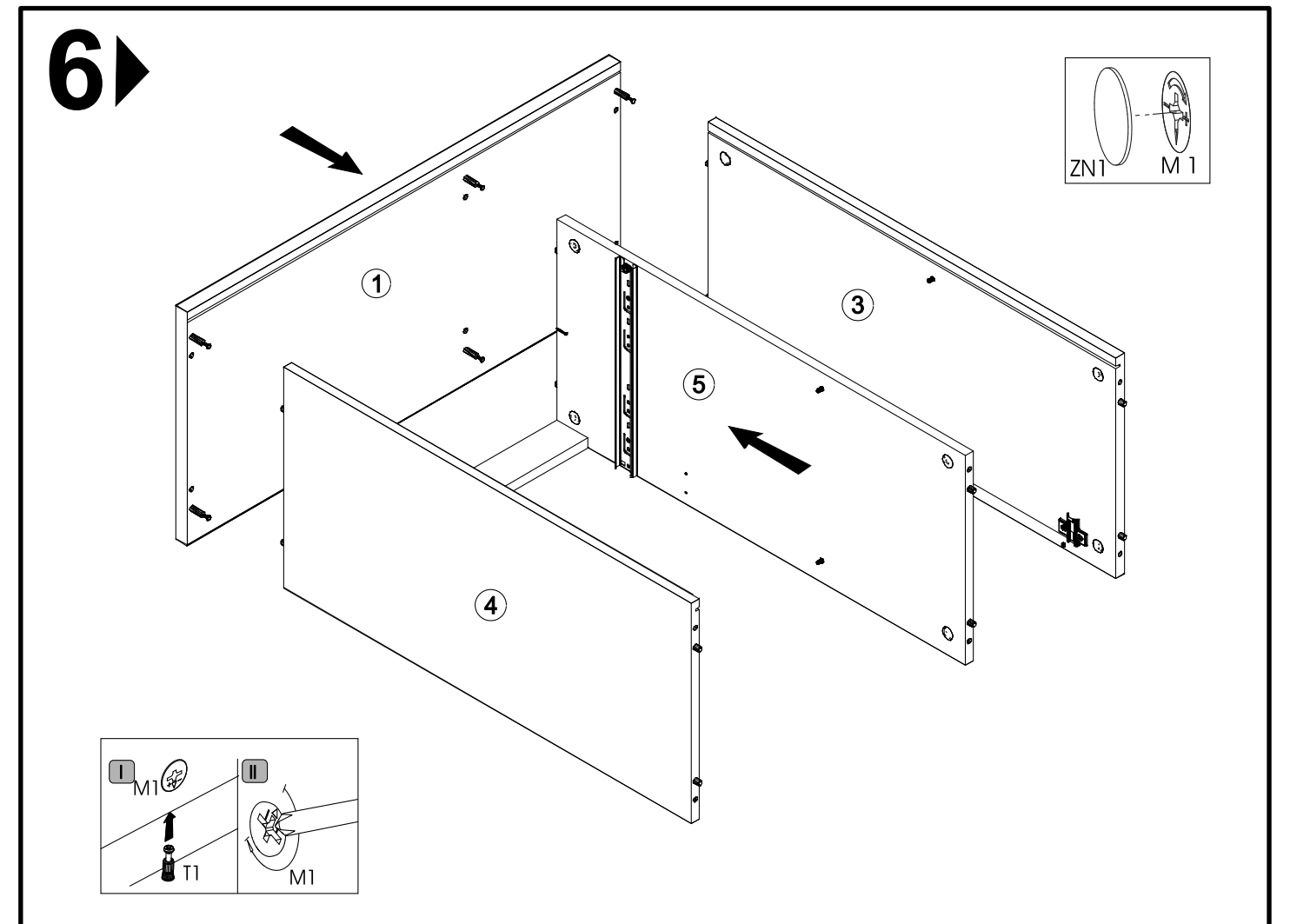


9



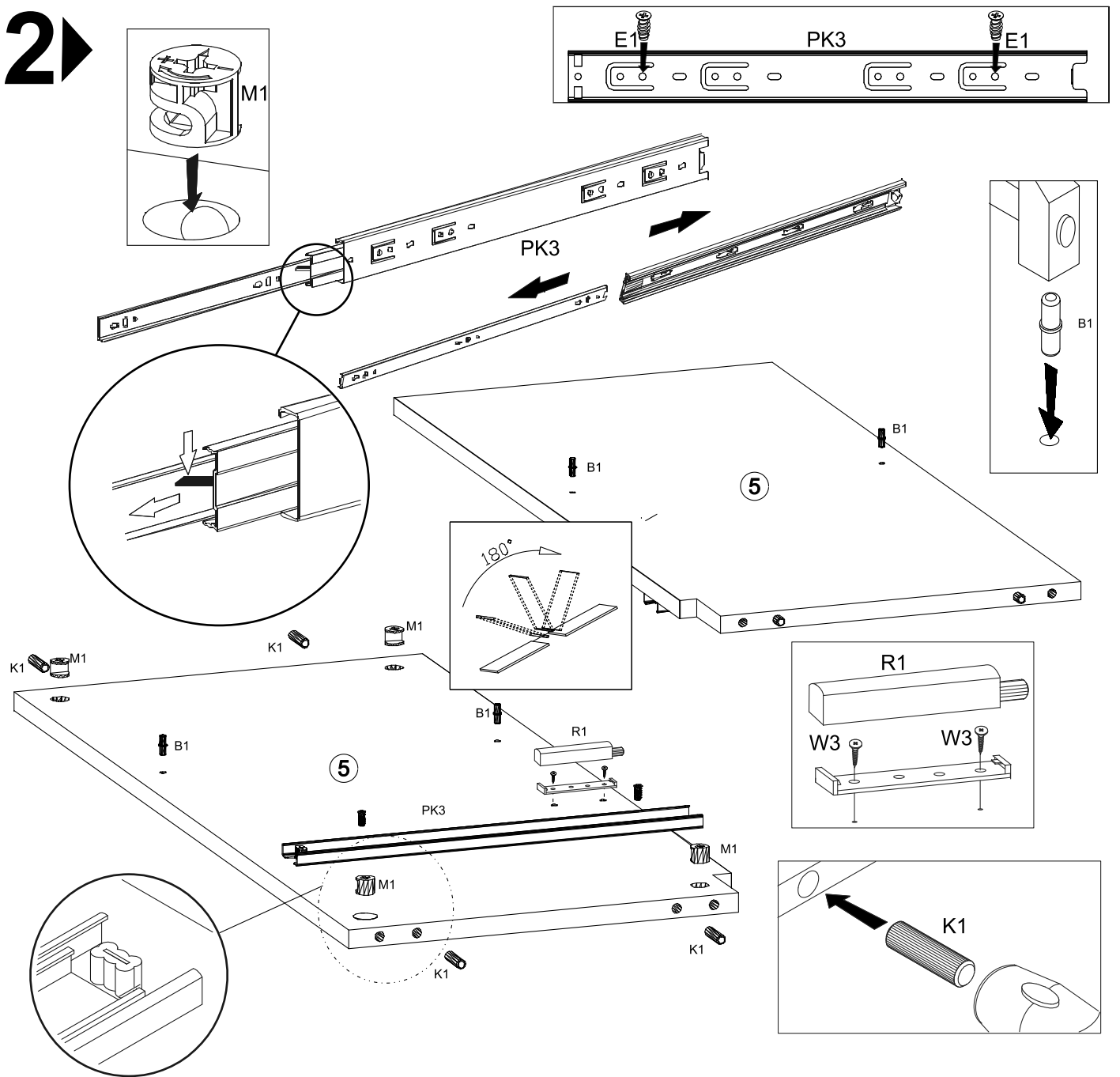


4/10

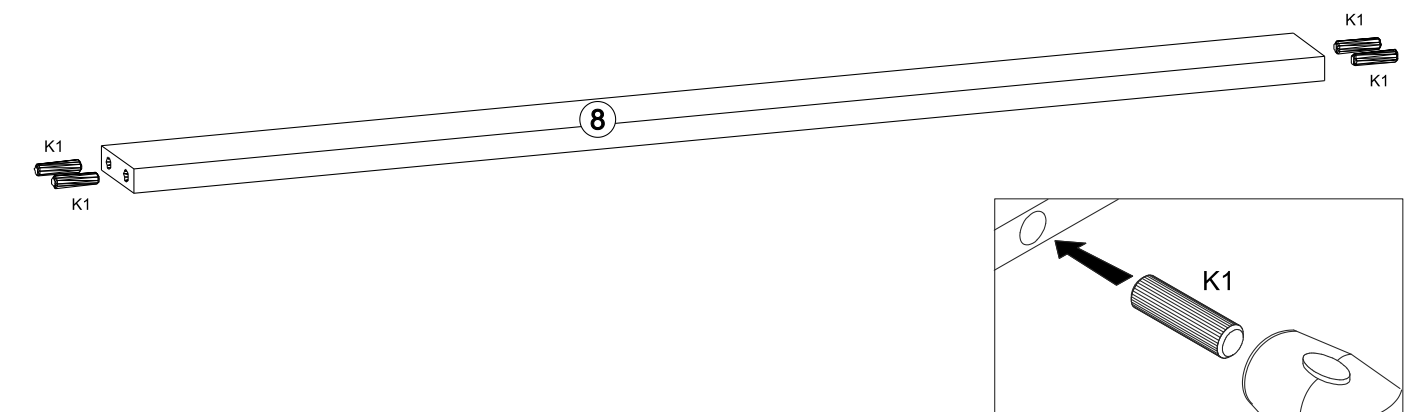


7/10

**2**

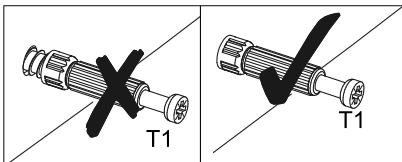
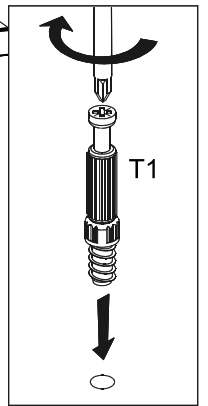
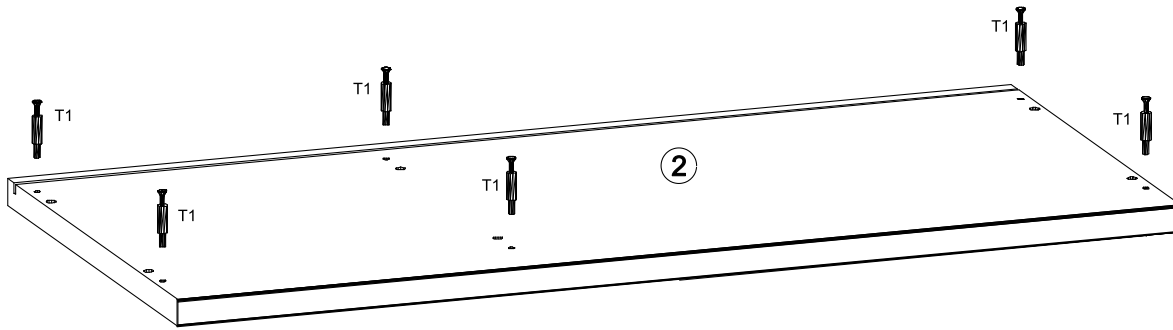
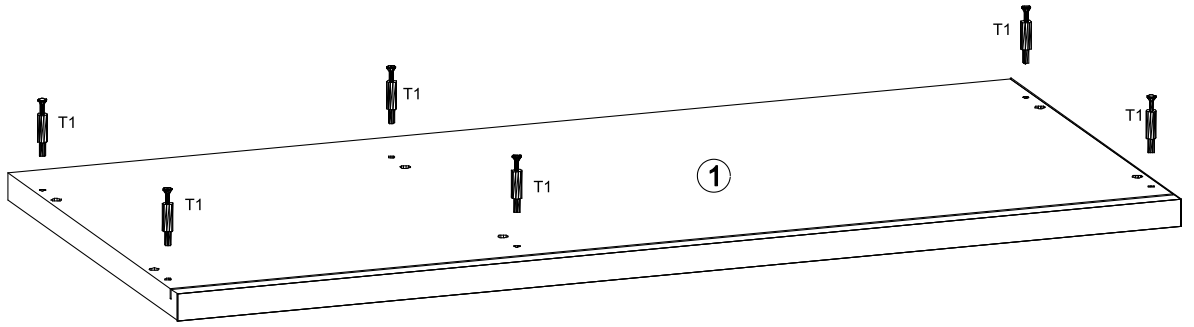


**3**



# 4

# PR2



# 5

