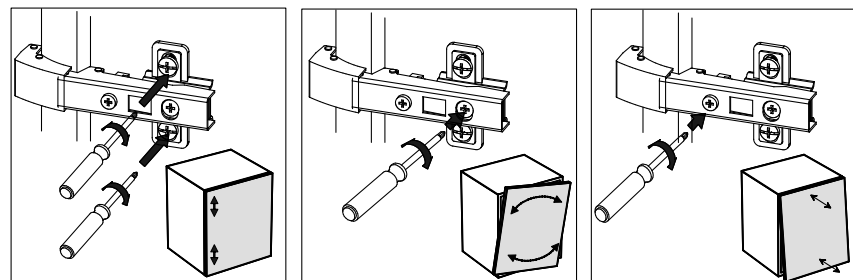
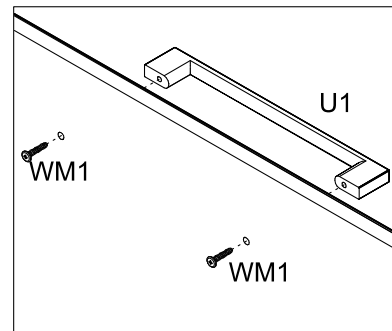
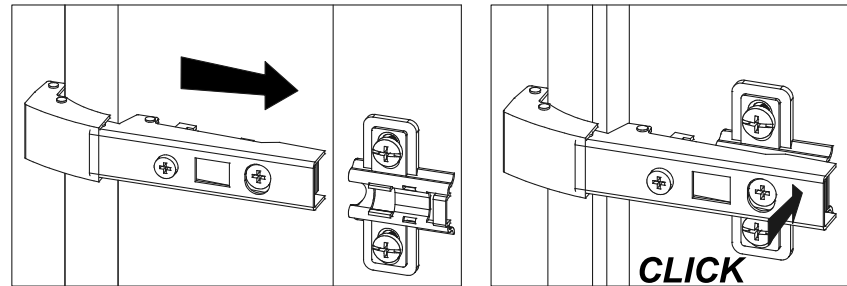
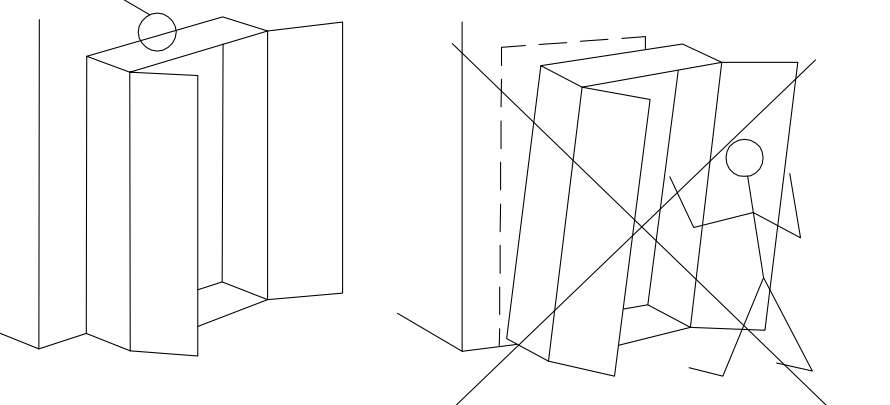
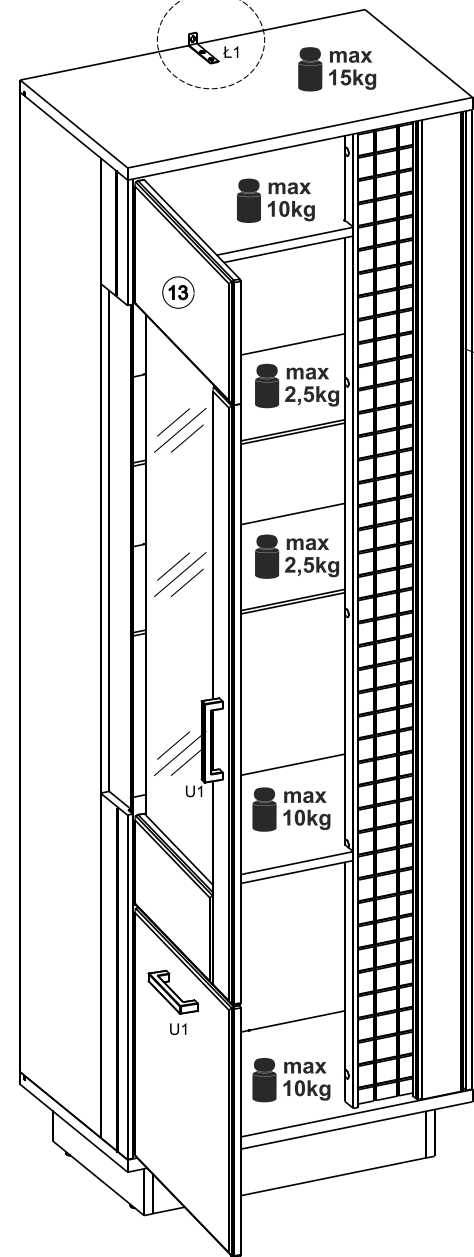
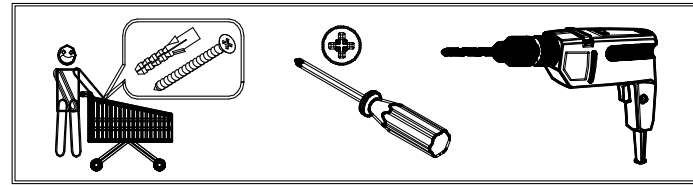
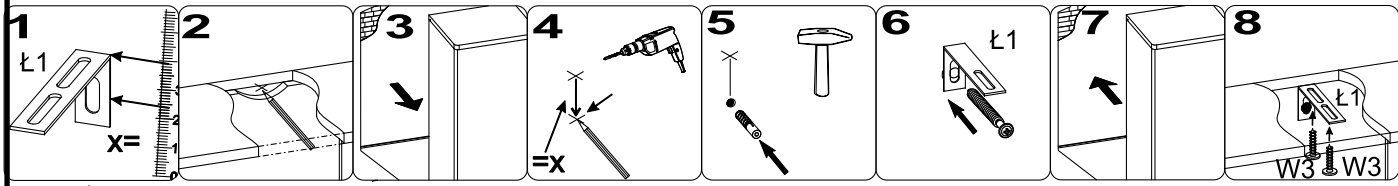
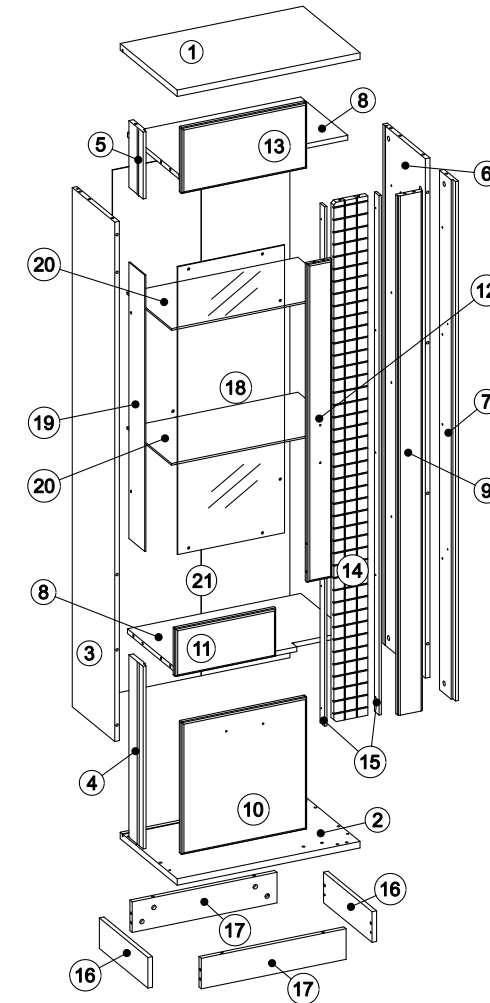
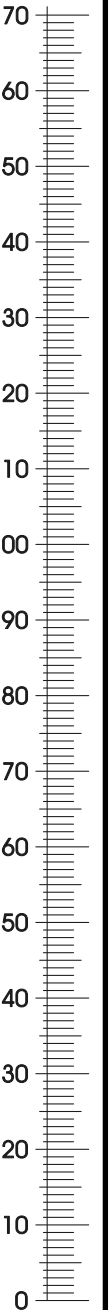
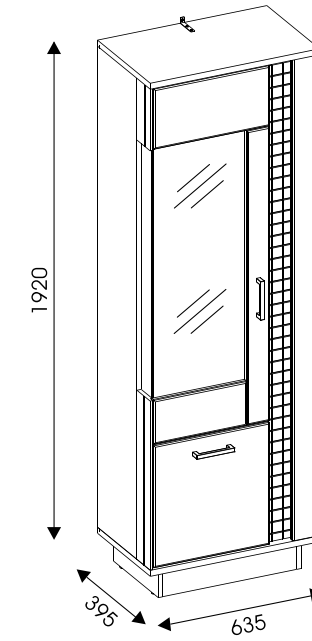
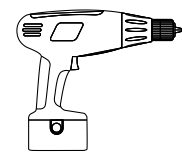
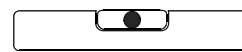
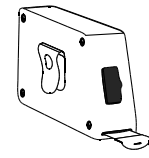
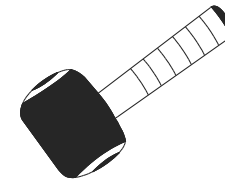
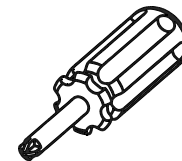
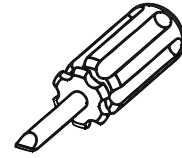
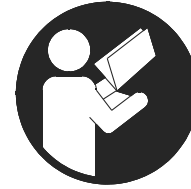


# 20

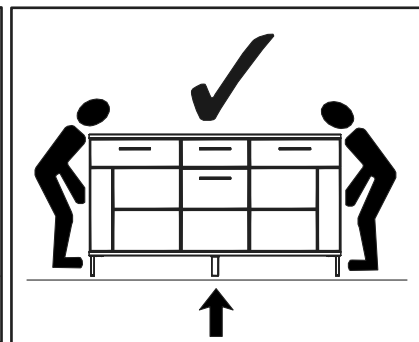
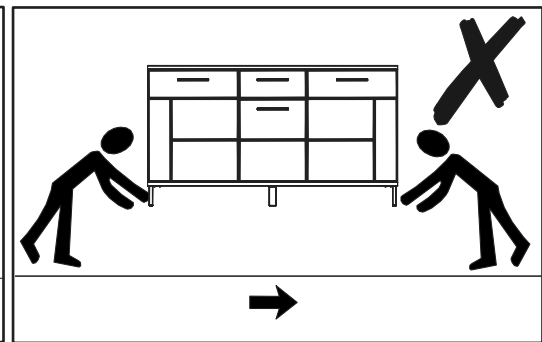
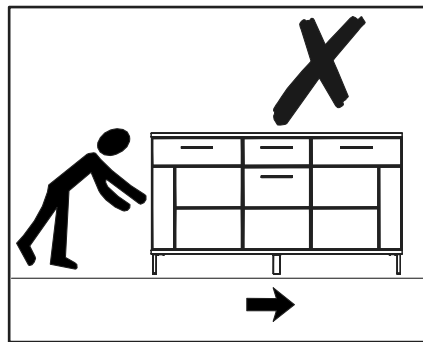
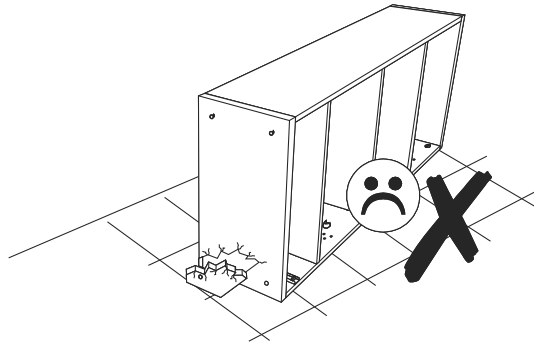
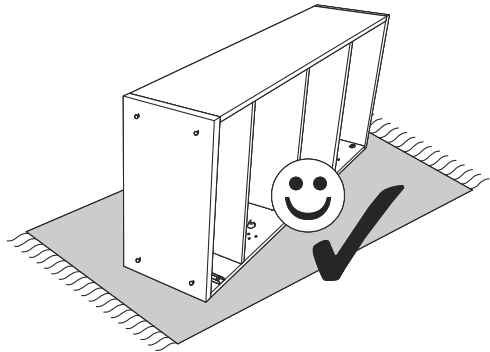
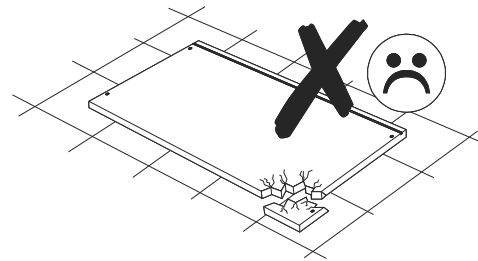
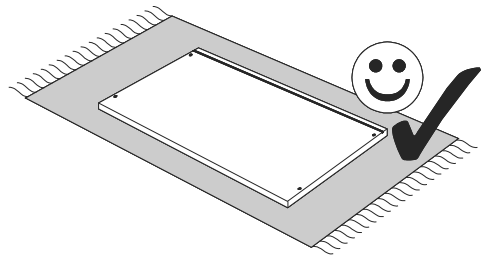
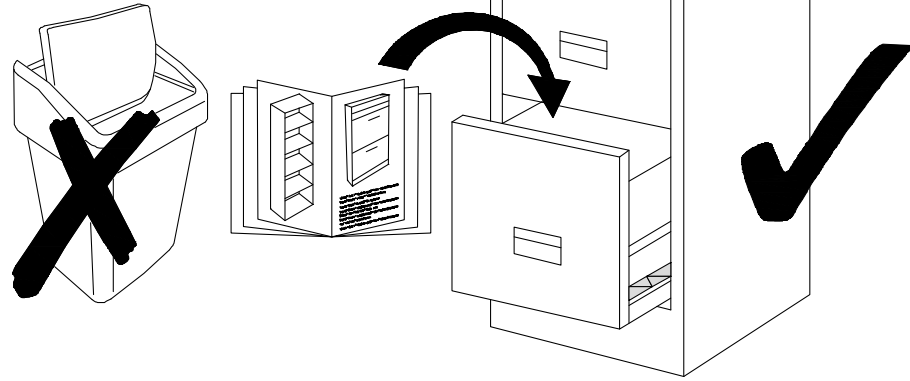


## MODELL: MR6

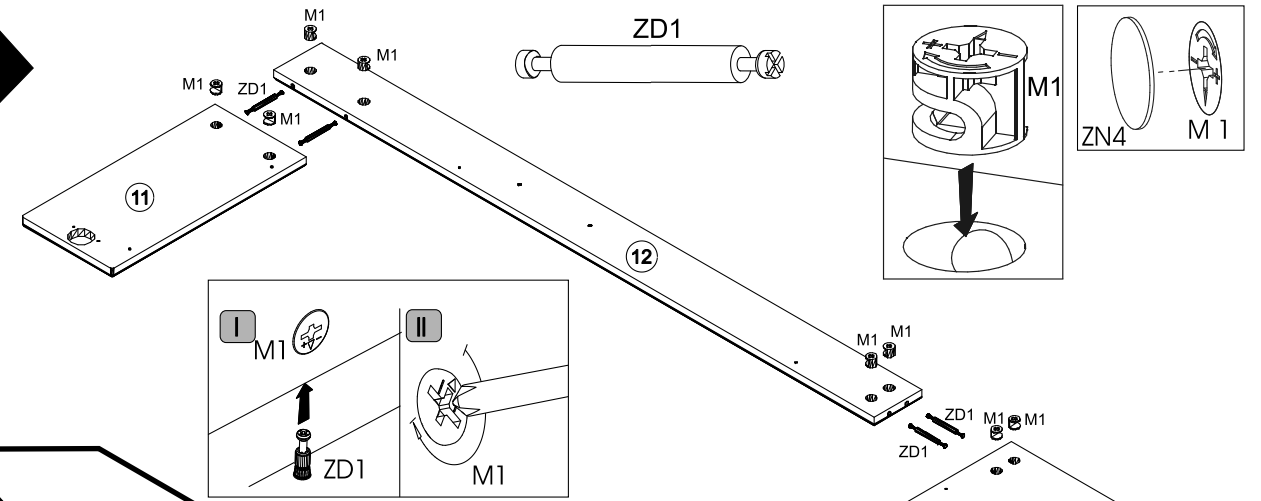


21	616x1782	2/3
20	594x310	1/3
19	940x110	2/3
18	979x371	2/3
17	503x104	3/3
16	337x104	3/3
15	1767x32	2/3
14	1767x118	2/3
13	436x224	3/3
12	1083x86	2/3
11	350x164	3/3
10	436x451	3/3
9	1767x86	2/3
8	602x358	1/3
7	1767x99	2/3
6	1767x295	2/3
5	227x99	2/3
4	621x99	2/3
3	1767x295	2/3
2	635x396	1/3
1	635x396	1/3

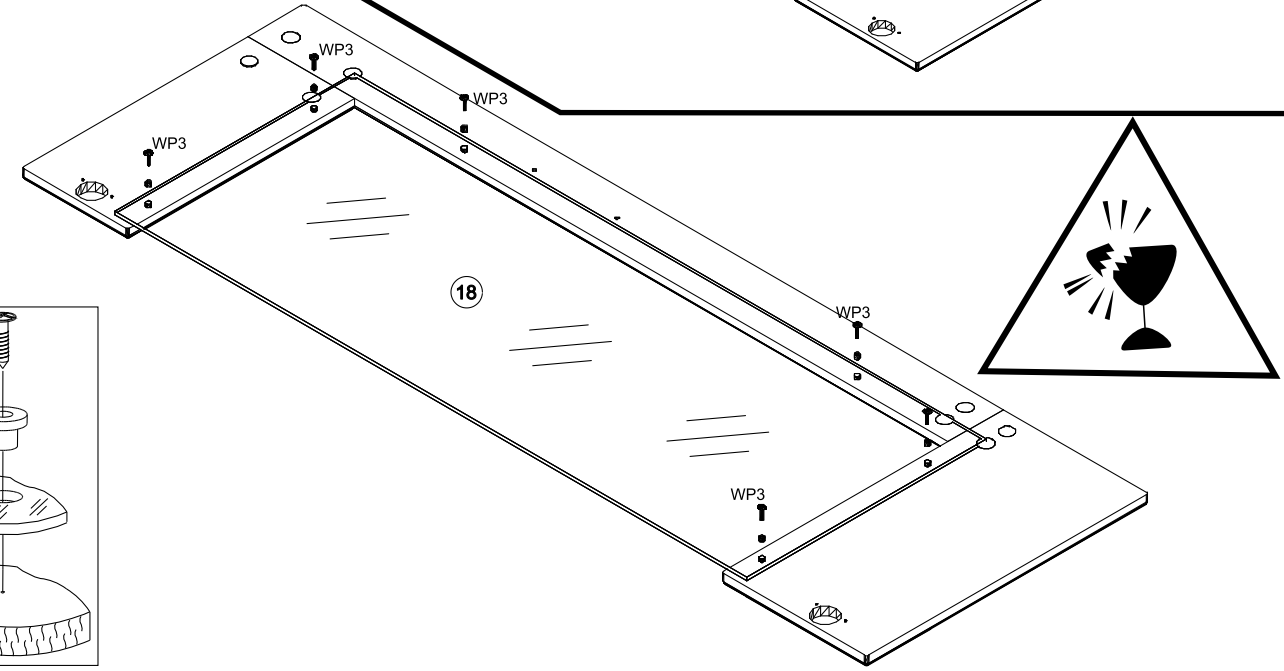
		2x	8x	5x	1x	1x	4x	1x							
		Z10	#20/093	ZN4	#14/112	ZN3	LED 10x10x1765	#56	ZD1	OPTION 2xNSP-3D/WW					
4x	14x	12x	4x	10x	12x	4x	2x	4x							
#20/325	ZN2	3.5x16	W3	ST1	ZC8	3x25	W10	3x20	W9	H=2	PR2	U1	N1		
8x	28x	8x	8x	41x	33x	4x	21x	8x							
TU1	8x30	K1	B2	4x16	WP3	#15/15	M1	DU232T	T1	4x30	WM1	#20/112	ZN1	2x20	G1



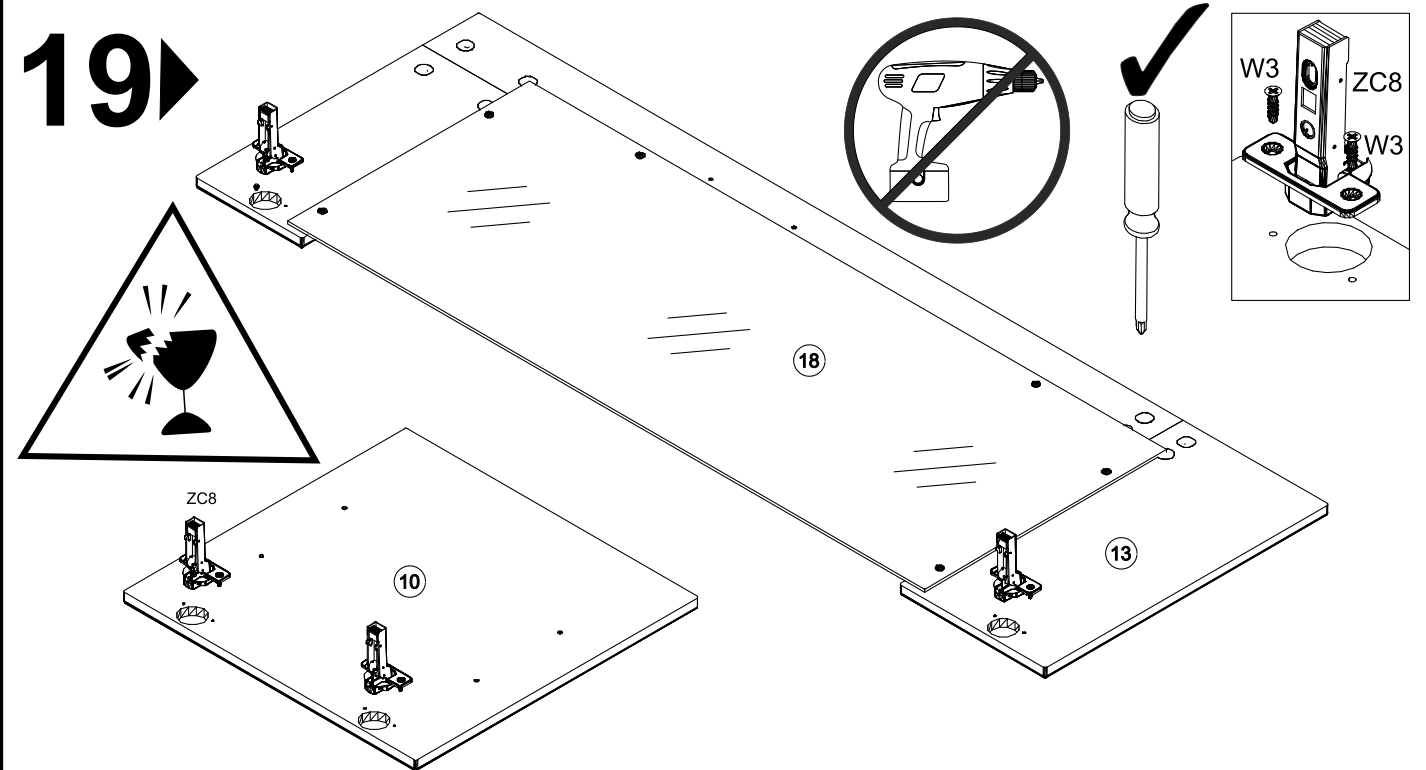
17▶



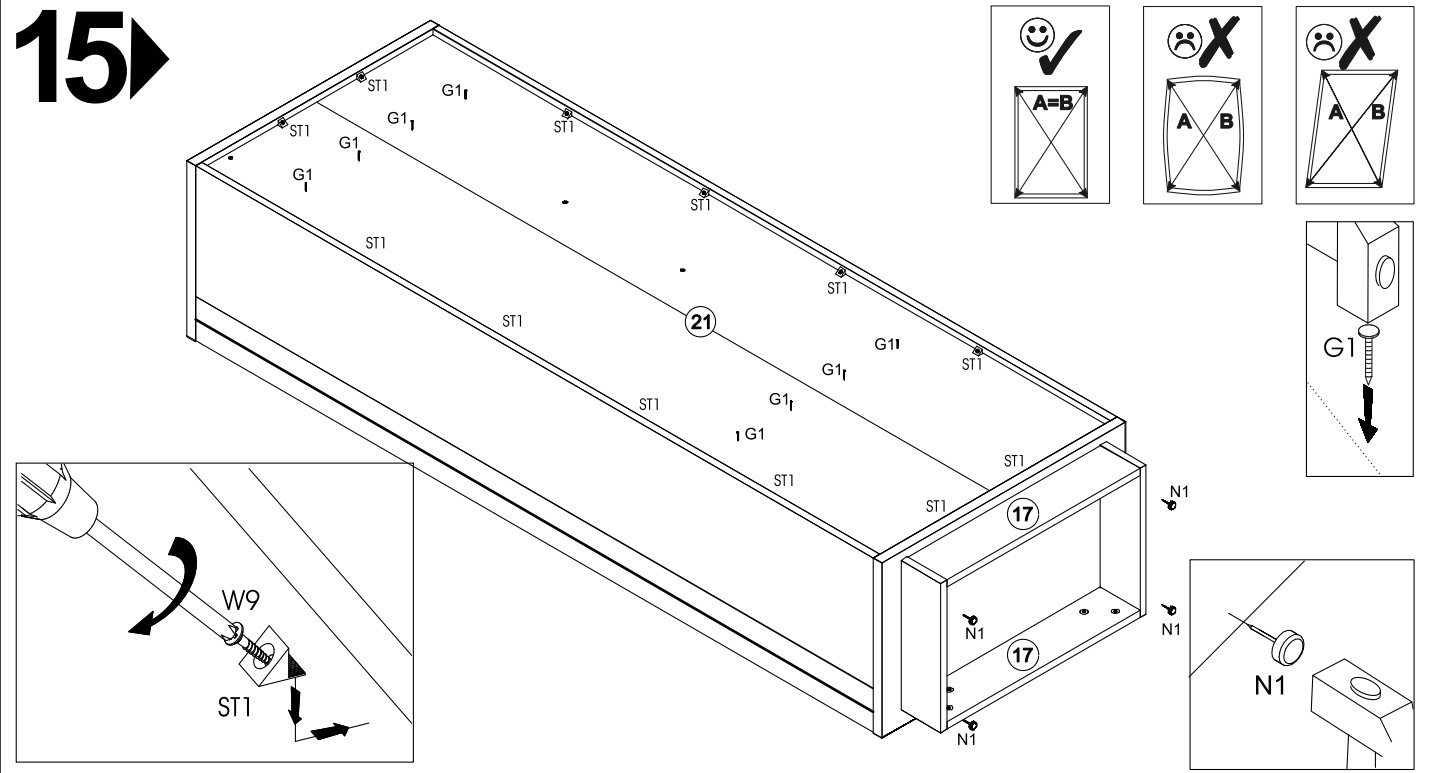
18▶



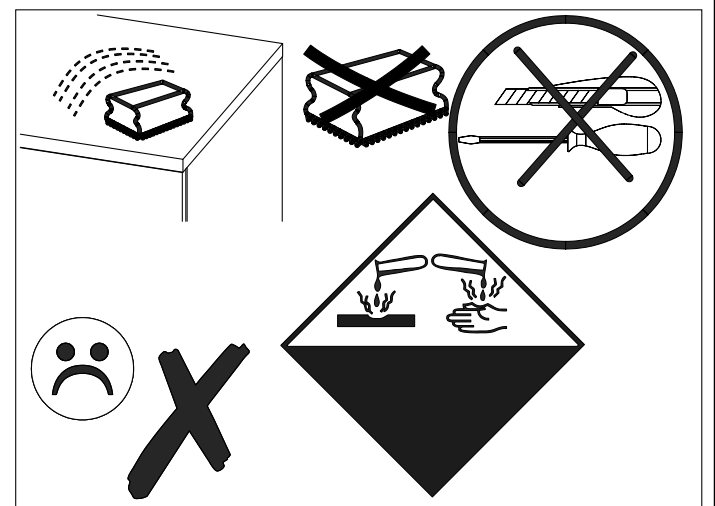
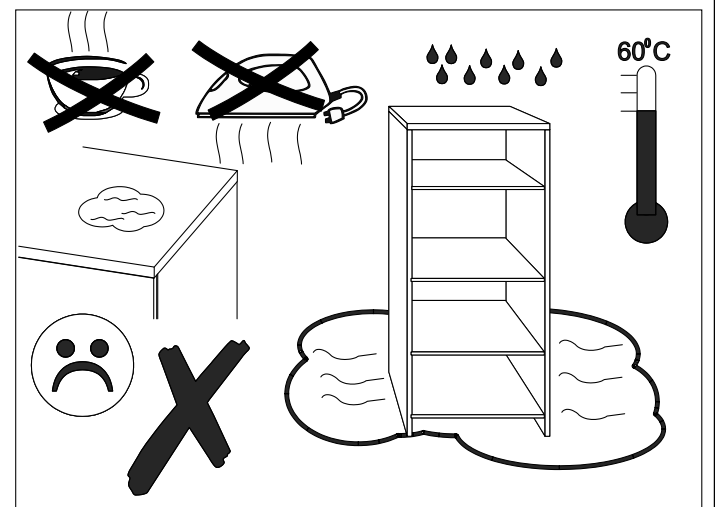
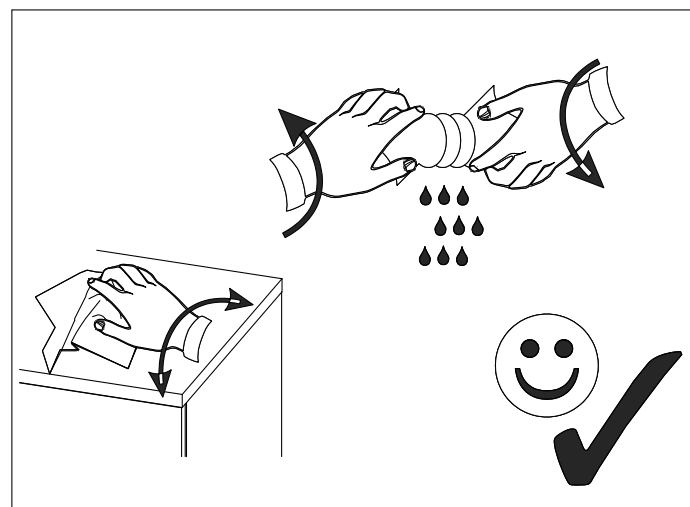
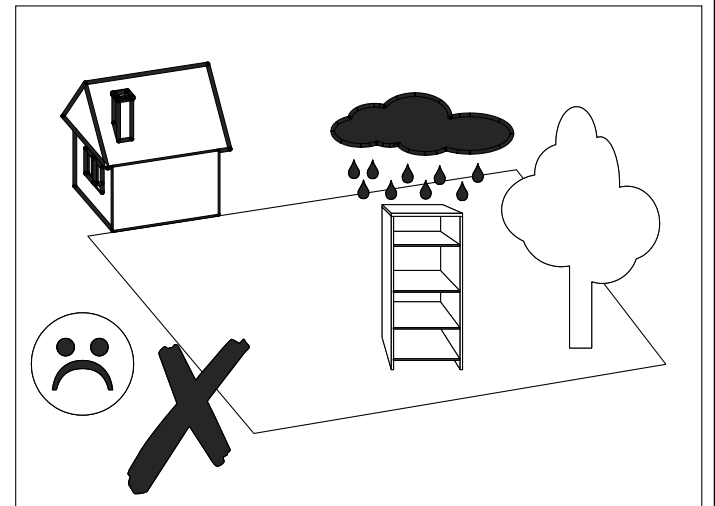
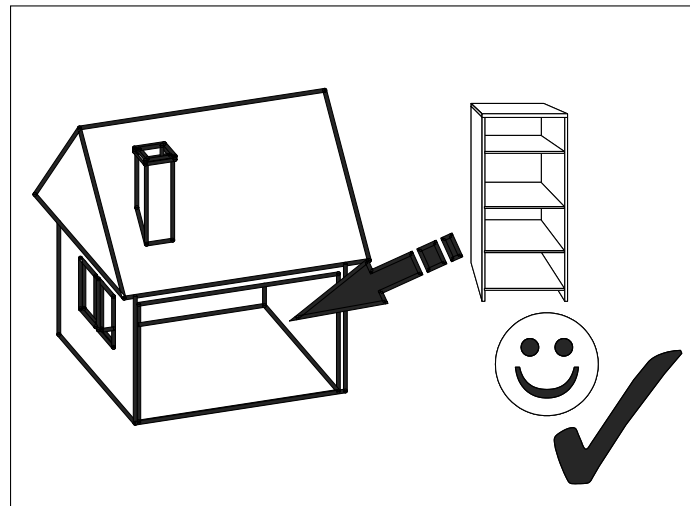
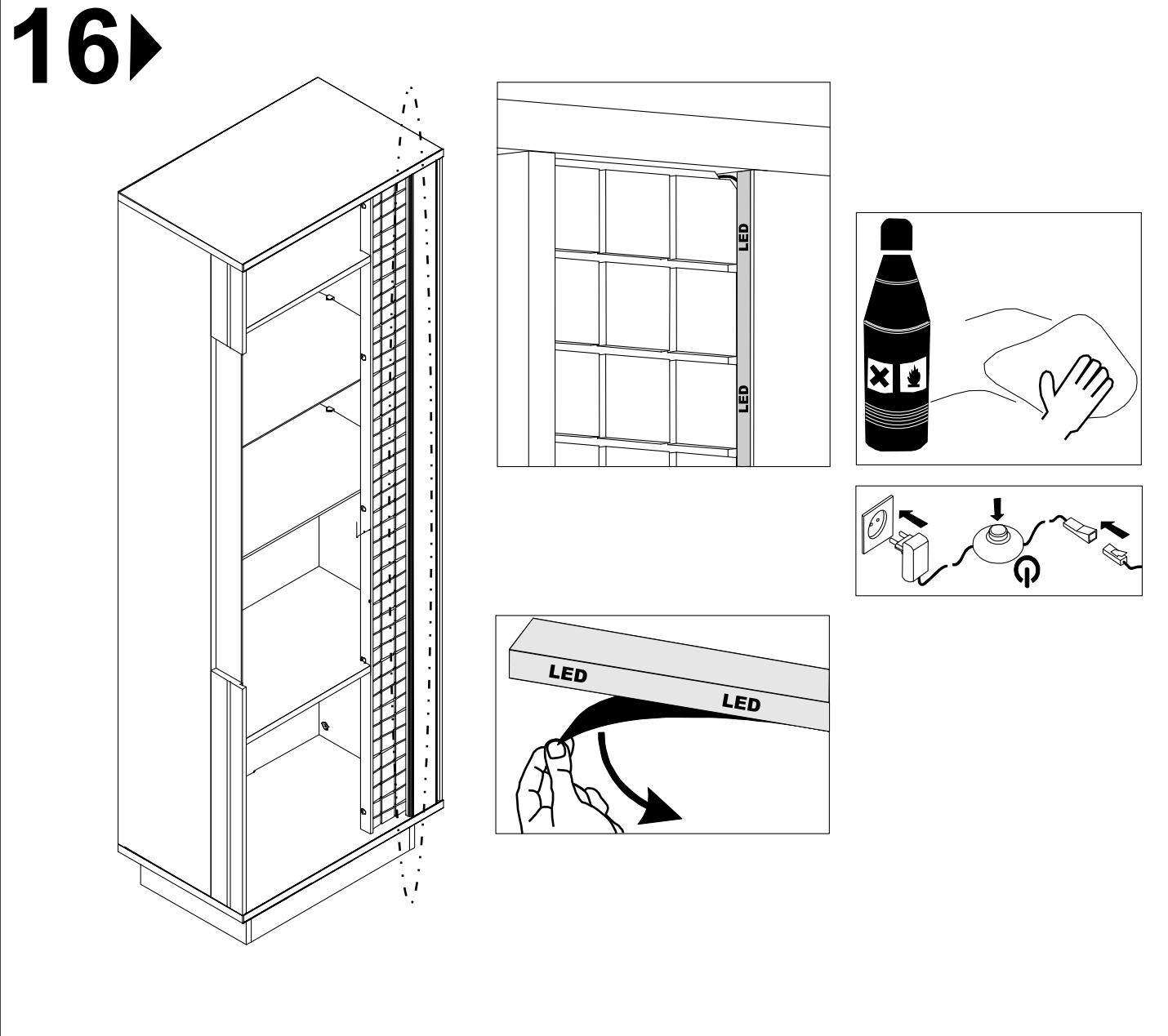
19▶

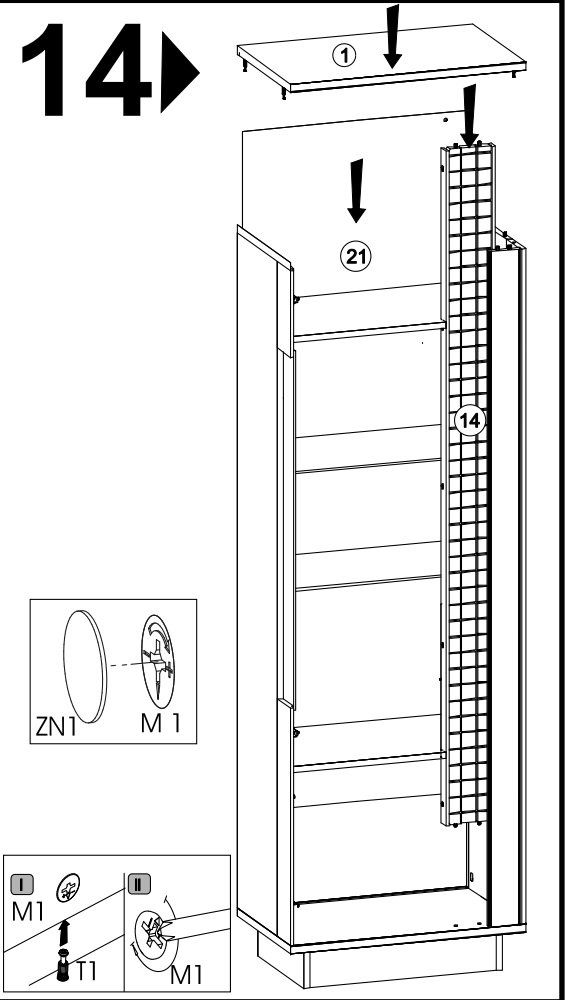
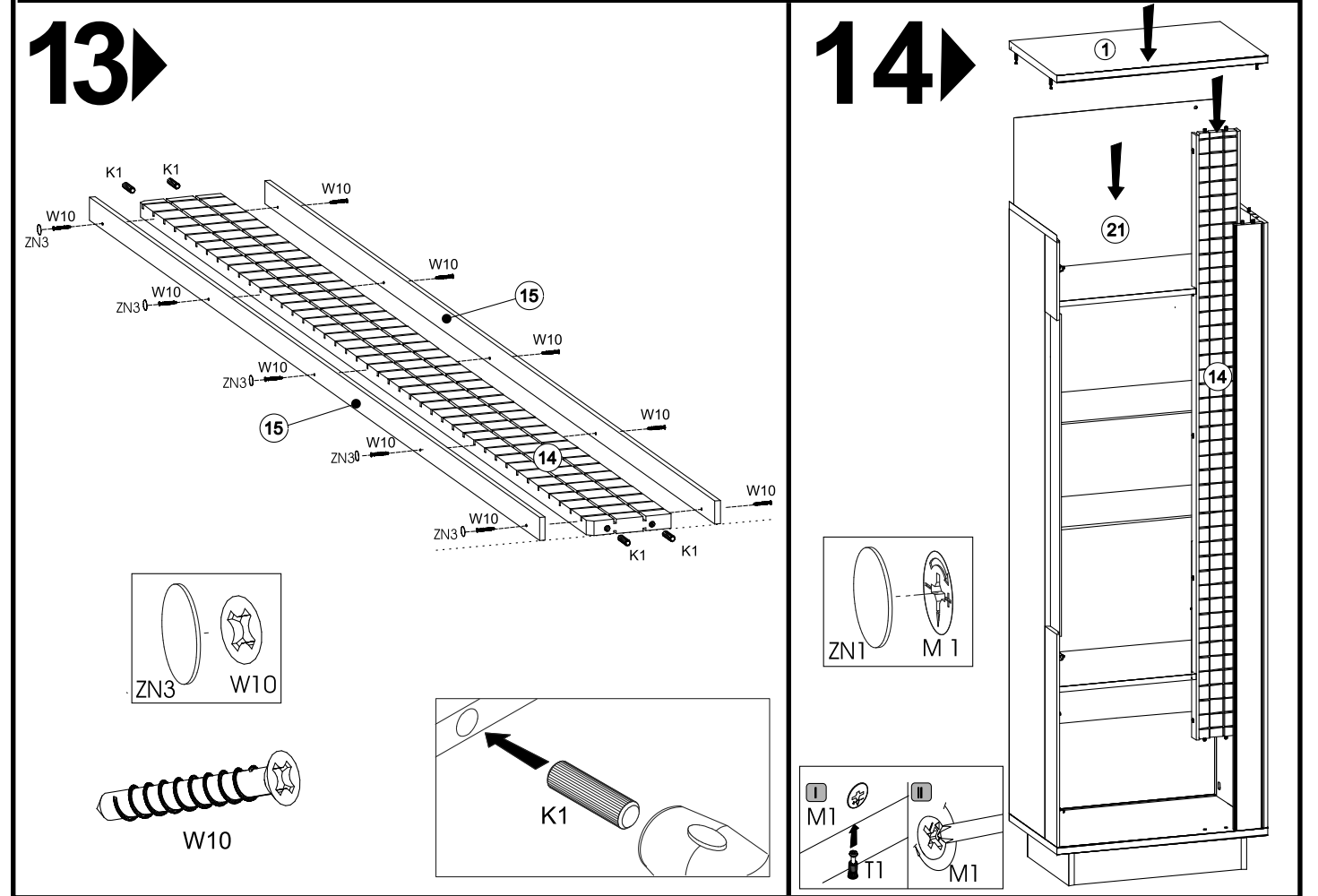
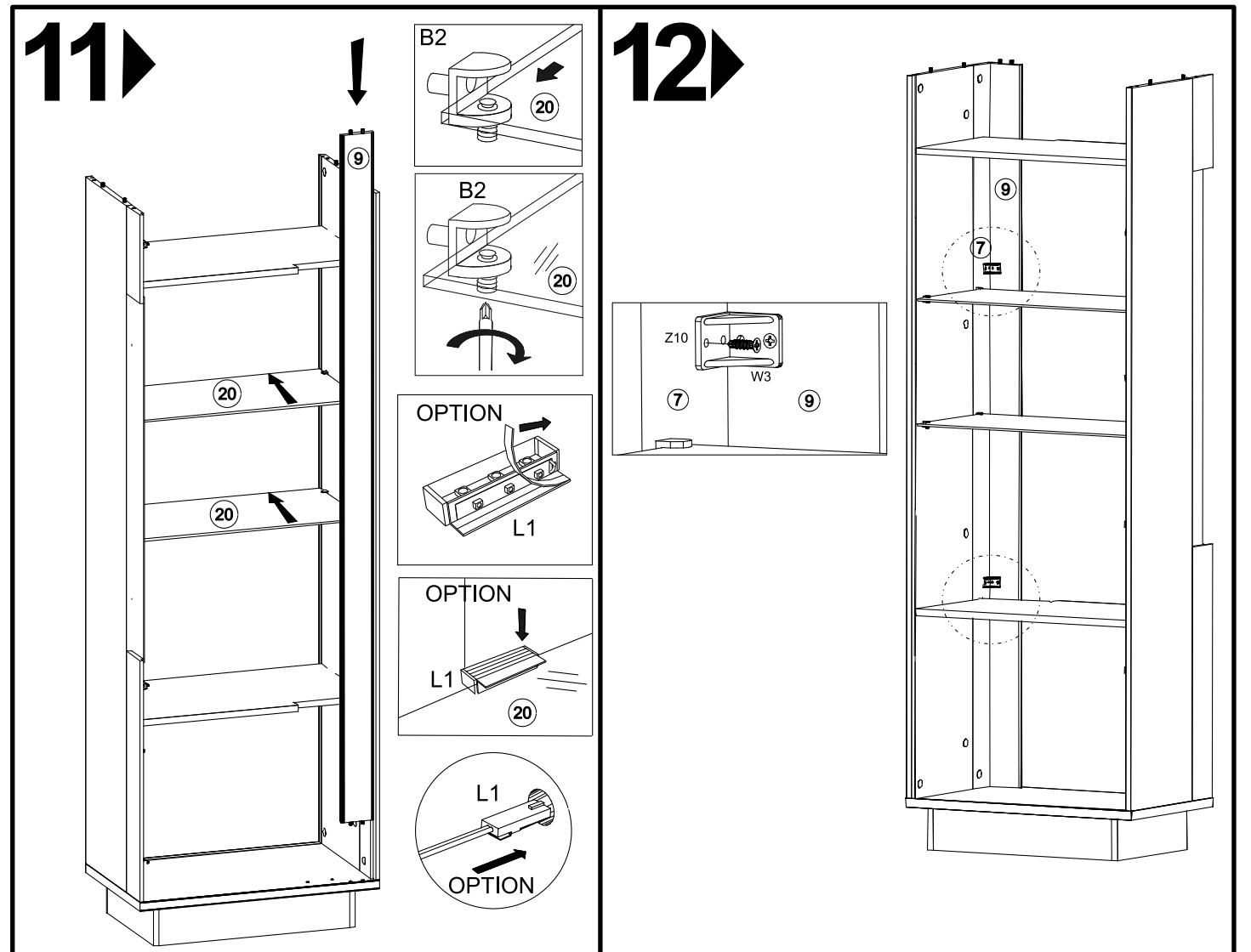
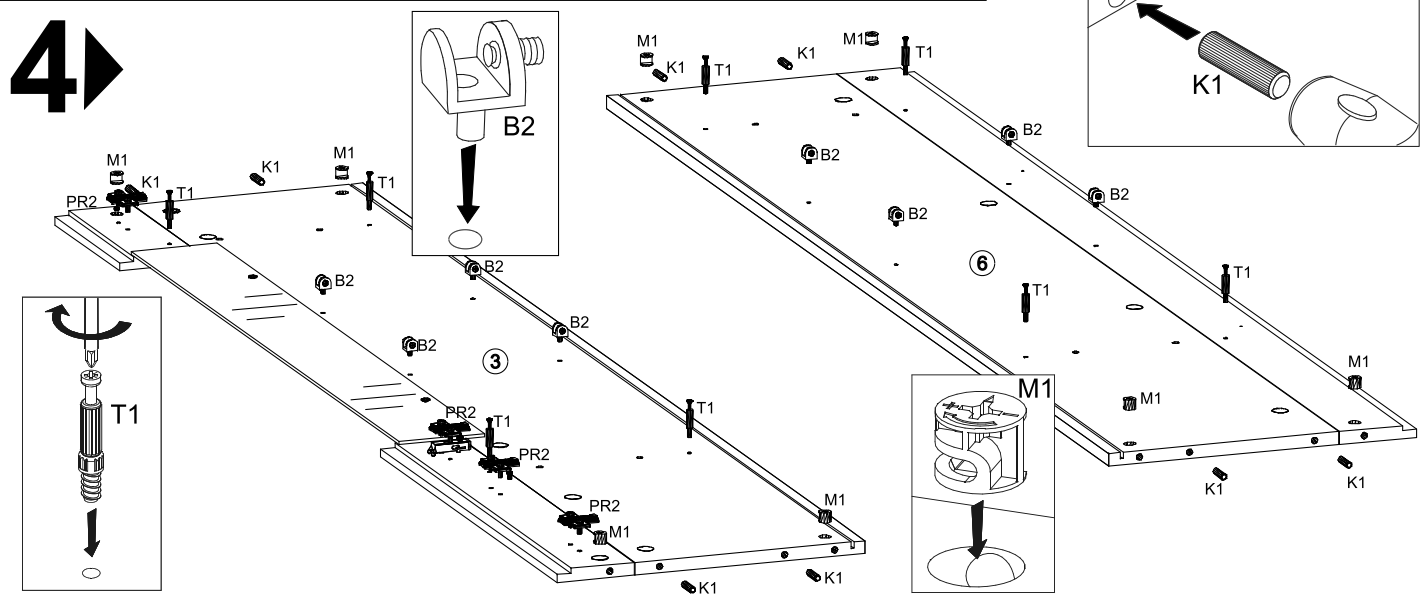
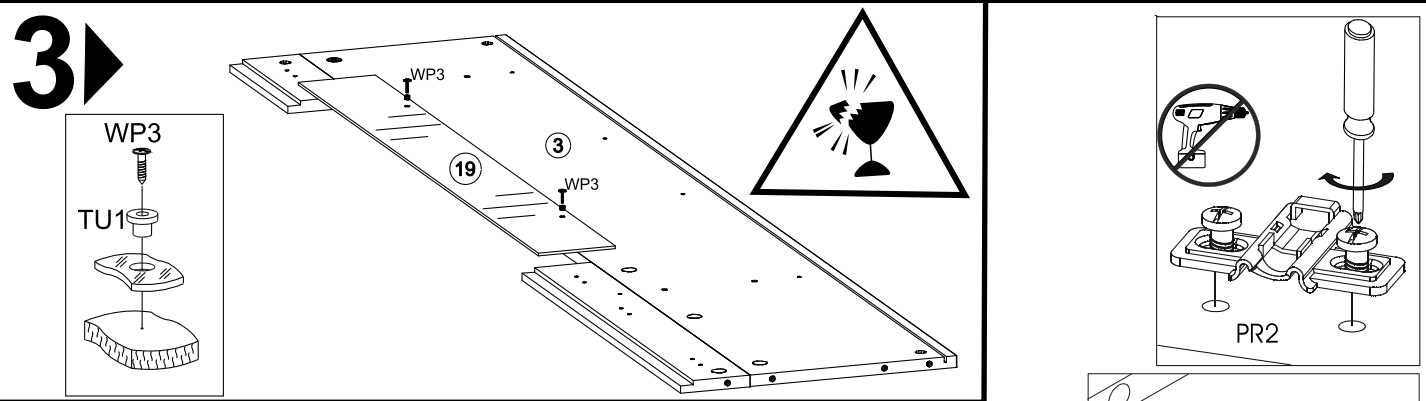
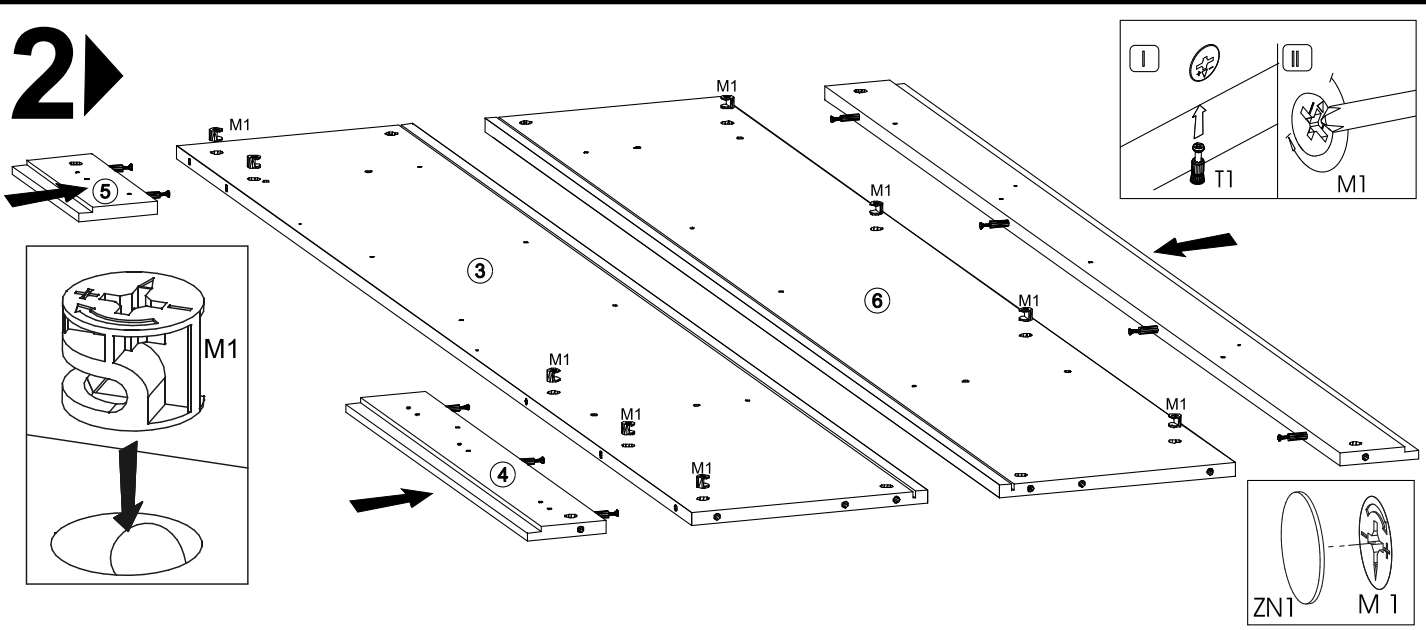
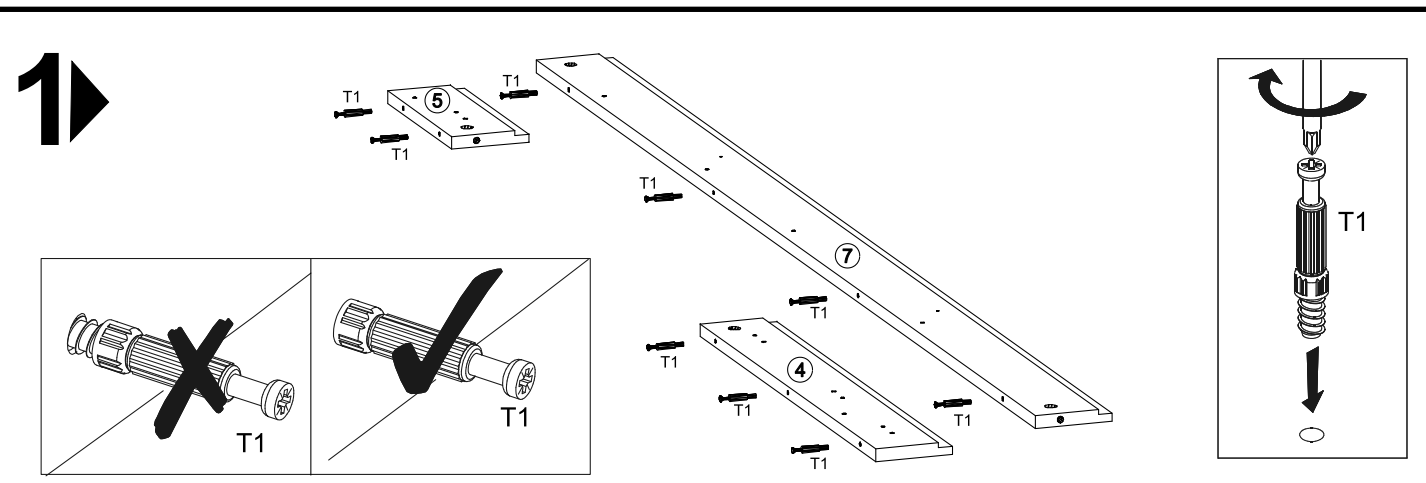


15

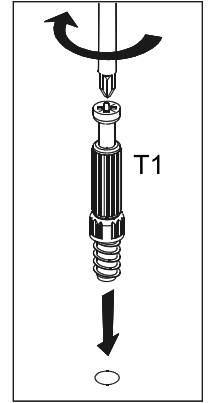
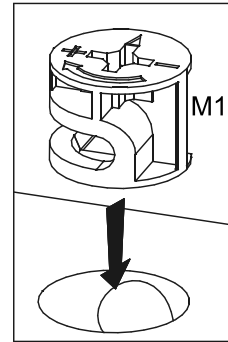
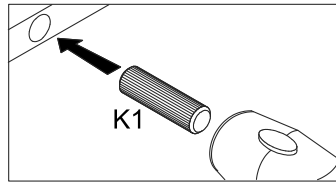
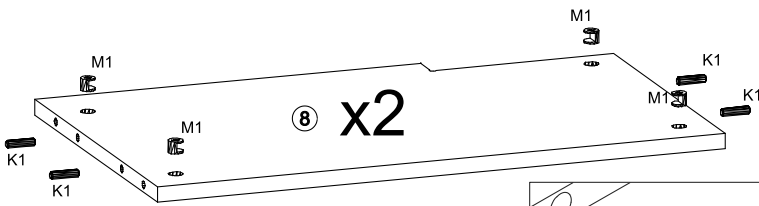
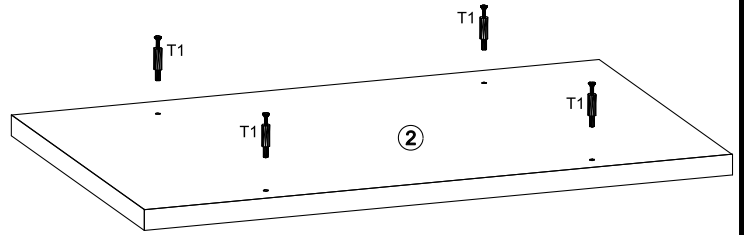
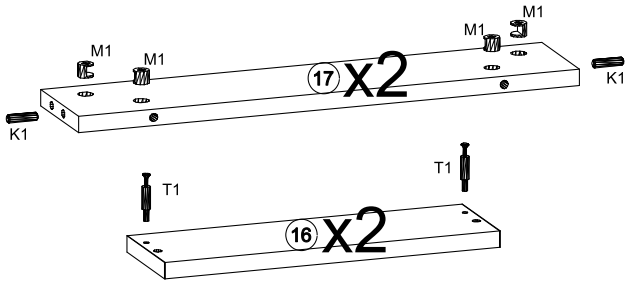
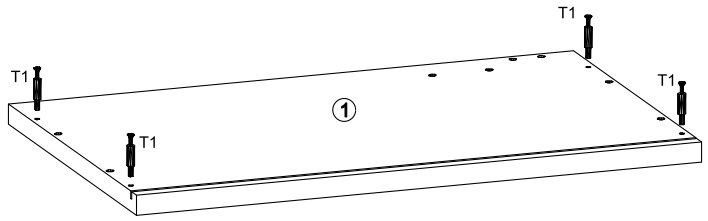
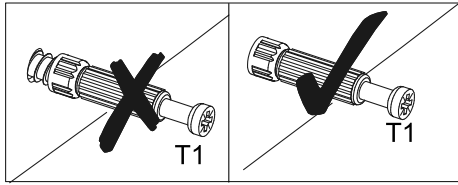


16

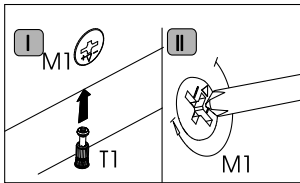
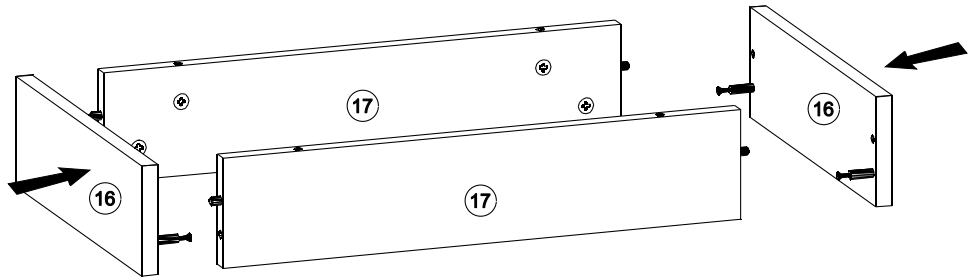




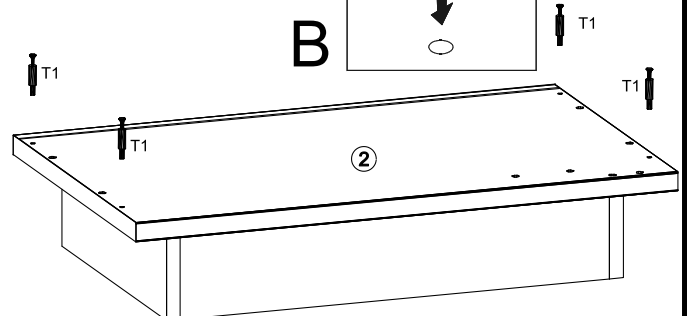
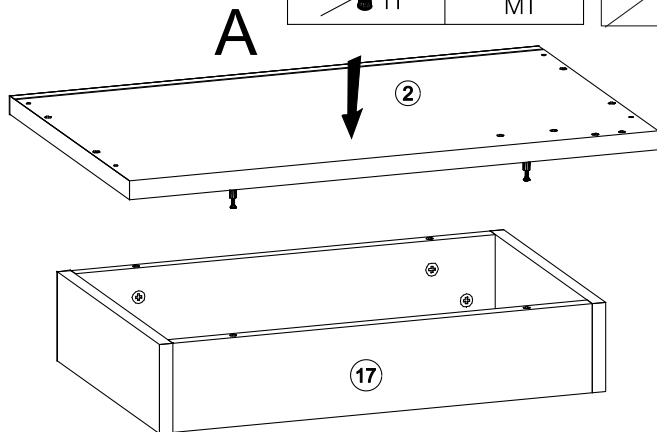
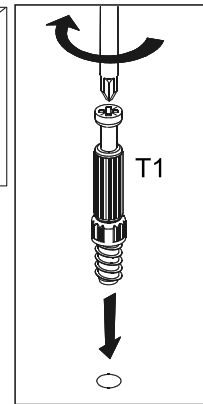
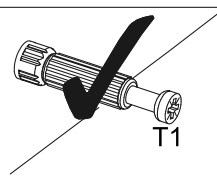
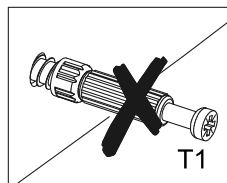
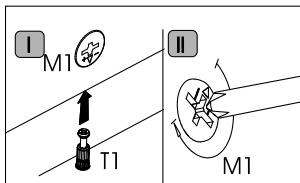
5 ▶



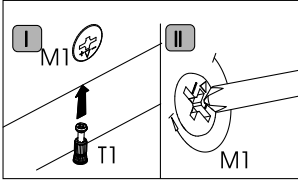
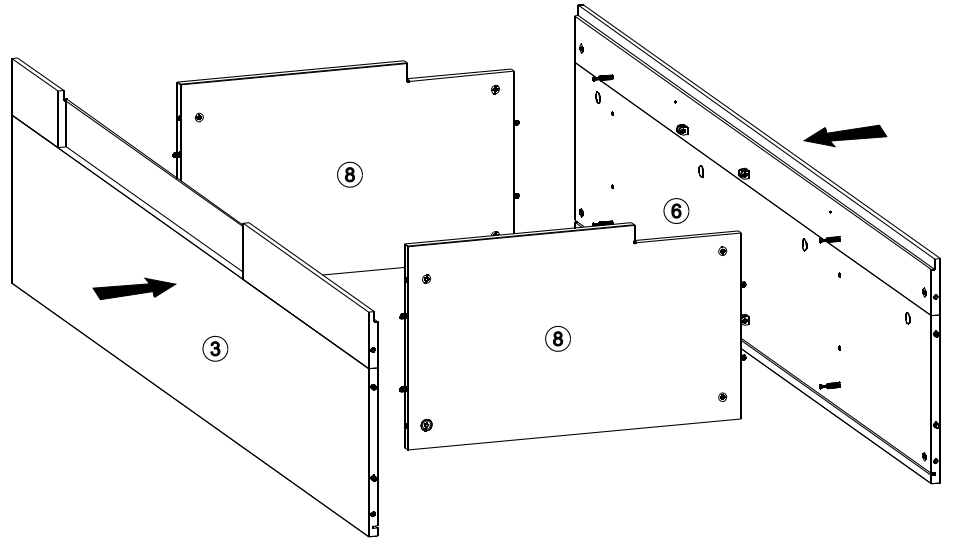
6 ▶



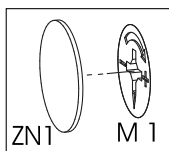
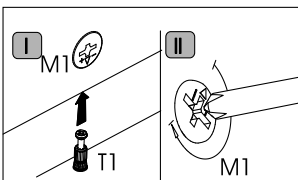
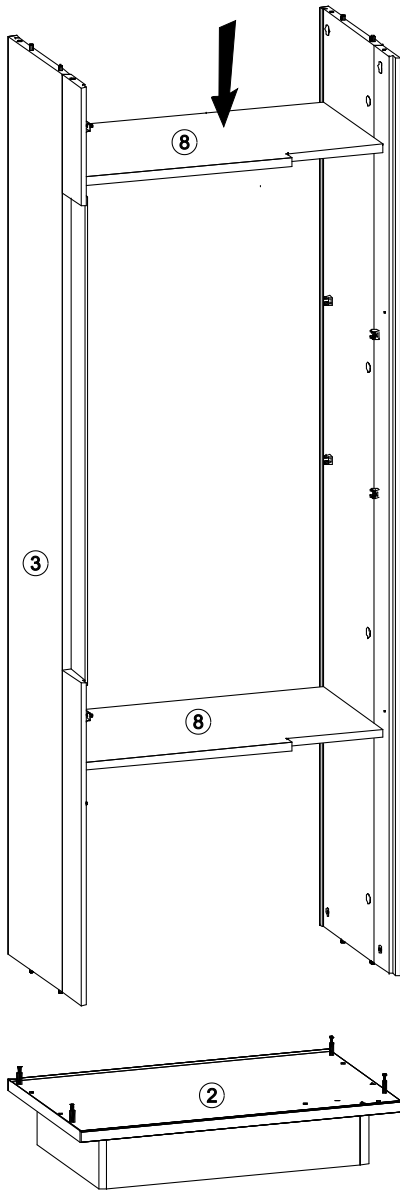
7 ▶



# 8 ▶



# 9 ▶



# 10 ▶

